

CA/LINE-12



Circular in line duct fans with 3-speed motors

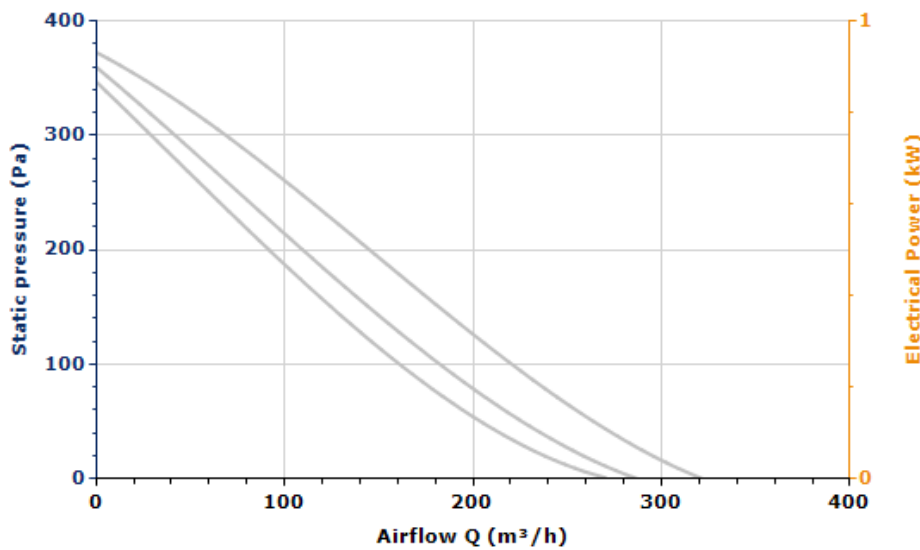
- Fan:
- Sheet steel casing.
 - External terminal box.
 - Easy, rapid installation.
 - Support foot included.

- Motor:
- 3-Speed motors with durable ball bearings and IP44 protection.
 - Single-phase 220/240V-50/60Hz.
 - Operating temperature -25°C +60°C.

- Finish:
- Anti-corrosive galvanised sheet steel



CHARACTERISTIC CURVE AND ACOUSTICS AT 1.2KG/M³

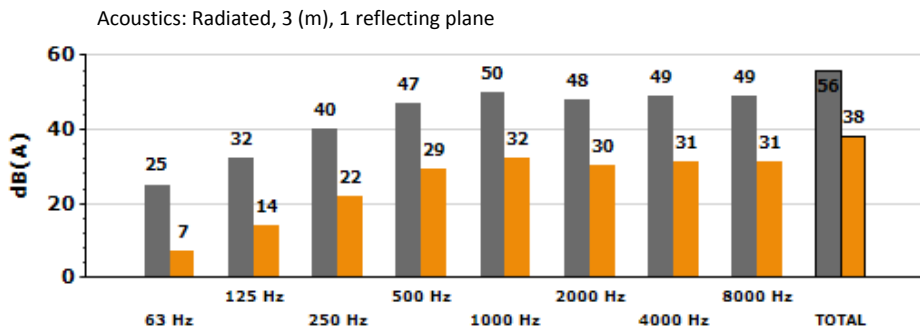


Design Point

Q (m³/h)	
Ps (Pa)	

Service Point (SP)

Q (m³/h)	
Ps (Pa)	
Pd (Pa)	
Pt (Pa)	
Impeller (rpm)	
Max. Temp. (°C)	
Outlet air speed (m/s)	
Electrical Power (kW)	



Band	Lw dB(A)	Lp dB(A)
63 Hz	25	7
125 Hz	32	14
250 Hz	40	22
500 Hz	47	29
1000 Hz	50	32
2000 Hz	48	30
4000 Hz	49	31
8000 Hz	49	31
TOTAL	56	38

TECHNICAL CHARACTERISTICS

Airflow maximum (m³/h)	322
Speed (rpm)	2650
Approx. weight (kg)	2.80

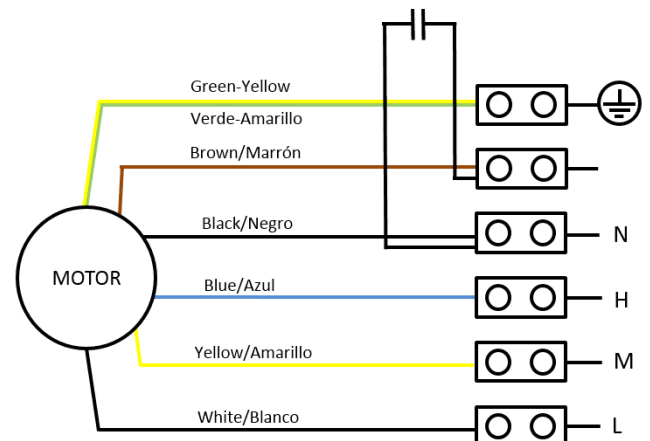
ERP

Brand	SODECA, S.L.U.	Declared max. internal leakage rate (%)	0.0%
Model	CA/LINE-12	Max. external leakage rate (%)	0.0%
Specific energy consumption (SEC) average climate (kWh/(m ² .yr))	-23.3	Mixing rate	0.00
Specific energy consumption (SEC) cold climate (kWh/(m ² .yr))	-50.3	Position and description of visual filter warning	Not applicable
Specific energy consumption (SEC) warm climate (kWh/(m ² .yr))	-7.8	Instructions to install regulated grilles	See manual
SEC class	C	Website	www.sodeca.com
Typology	RVU / UVU	Airflow sensitivity to pressure variations at +20 Pa and -20 Pa	0.00
Drive type	Multi-speed	Indoor/outdoor air tightness (m ³ /h)	0.00
HRS type	None	Annual electricity consumption (AEC) average climate (kWh/(m ² .yr))	2
Thermal efficiency of heat recovery (%)	0%	Annual electricity consumption (AEC) warm climate (kWh/(m ² .yr))	2
Maximum flow rate (m ³ /h)	221	Annual electricity consumption (AEC) cold climate (kWh/(m ² .yr))	2
Electric power input of the fan drive at maximum flow rate (W)	50	Annual heating saved (AHS) average climate (kWh/(m ² .yr))	28
Sound power level (LWA) (dBA)	53	Annual heating saved (AHS) warm climate (kWh/(m ² .yr))	13
Reference flow rate (m ³ /s)	0.043	Annual heating saved (AHS) cold climate (kWh/(m ² .yr))	55
Reference pressure difference (Pa)	109	ErP compliance	2018
SPI (W/m ³ /h)	0.307		
Control factor	0.65		
Control typology	Local demand control		

MOTOR DATA

Max. Electrical Power (kW)	0.05
Hz/phases	50/1
Motor (rpm)	2650
Max. current (A) 220-240 V	0.23
Motor protection	IP44

Data can change, please check motor plate



DIMENSIONS

A	B	$\varnothing d$	$\varnothing D$	E	F	G
202	177	123	237	282	130	270

Dimensions without explicitly defined units are shown in millimeters (mm). Dimensions depending on the motor are approximate

