



PA2200C

Stylish air curtain for entrances, with remote and integrated control

Recommended installation height 2,2 m

PA2200C is a compact air curtain, suitable for most small entrances. The air curtain has an integrated control system and can also be remote controlled which makes it very easy to install and use.



Optimized airflow with Thermozone technology.

- Remote control and integrated regulation.
- 3 fan steps and 2 electrical heating steps.
- Units with 3 kW are equipped with 1,5 m cable and plug.
- Wall brackets included.
- The front is easy to remove, which facilitates installation and allows easy maintenance.
- Corrosion proof housing made of hot zinc-plate and powder enamelled steel panels. Plastic ends. Colour front: white, RAL 9016, NCS S 0500-N. Colour grille, rear section, ends and brackets: grey, RAL 7046.

✿ Ambient, no heat - PA2200C A (IP21)

Type	Output [kW]	Airflow*1 [m³/h]	Sound level*2 [dB(A)]	Voltage motor [V]	Amperage motor [A]	Length [mm]	Weight [kg]
PA2210CA	0	900/1200	42/51	230V~	0,45	1050	16
PA2215CA	0	1150/1800	40/52	230V~	0,5	1560	24
PA2220CA	0	1800/2400	43/53	230V~	0,9	2050	32

⚡ Electrical heat - PA2200C E (IP20)

Type	Output steps [kW]	Airflow*1 [m³/h]	Δt*3 [°C]	Sound level*2 [dB(A)]	Voltage motor [V]	Amperage motor [A]	Voltage [V] Amperage [A] (heat)	Length [mm]	Weight [kg]
PA2210CE03	2/3	900/1200	10/7,5	42/51	230V~	0,45	230V~/13	1050	17
PA2210CE05	3,3/5	900/1200	17/12,5	42/51	230V~	0,45	400V3~/7,2	1050	17
PA2210CE08	5/8	900/1200	27/20	42/51	230V~	0,45	400V3~/11,5	1050	18
PA2215CE08	4/8	1150/1800	21/13	40/52	230V~	0,5	400V3~/11,5	1560	26
PA2215CE12	8/12	1150/1800	31/20	40/52	230V~	0,5	400V3~/17,3	1560	28
PA2220CE10	5/10	1800/2400	17/12,5	43/53	230V~	0,9	400V3~/14,4	2050	34
PA2220CE16	10/16	1800/2400	27/20	43/53	230V~	0,9	400V3~/23,1	2050	36

💧 Water heat - PA2200C W (IP21)

Type	Output*4 [kW]	Airflow*1 [m³/h]	Δt*3,4 [°C]	Water volume [l]	Sound level*2 [dB(A)]	Voltage motor [V]	Amperage motor [A]	Length [mm]	Weight [kg]
PA2210CW	7	700/1200	21/17	0,38	39/52	230V~	0,4	1050	17
PA2215CW	11	1000/1750	23/18	0,81	37/53	230V~	0,5	1560	26
PA2220CW	14	1400/2400	22/18	0,74	40/53	230V~	0,8	2050	35

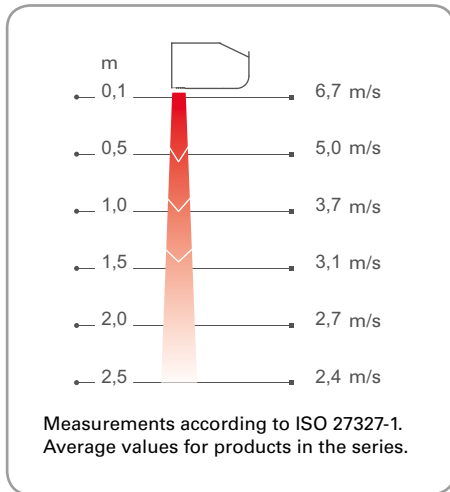
*1) Lowest/highest airflow of totally 3 fan steps.

*2) Conditions: Distance to the unit 5 metres. Directional factor: 2. Equivalent absorption area: 200 m². At lowest/highest airflow.

*3) Δt = temperature rise of passing air at maximum heat output and lowest/highest airflow.

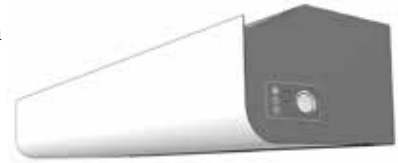
*4) Applicable at water temperature 80/60 °C, air temperature, in +18 °C.

Air velocity profile



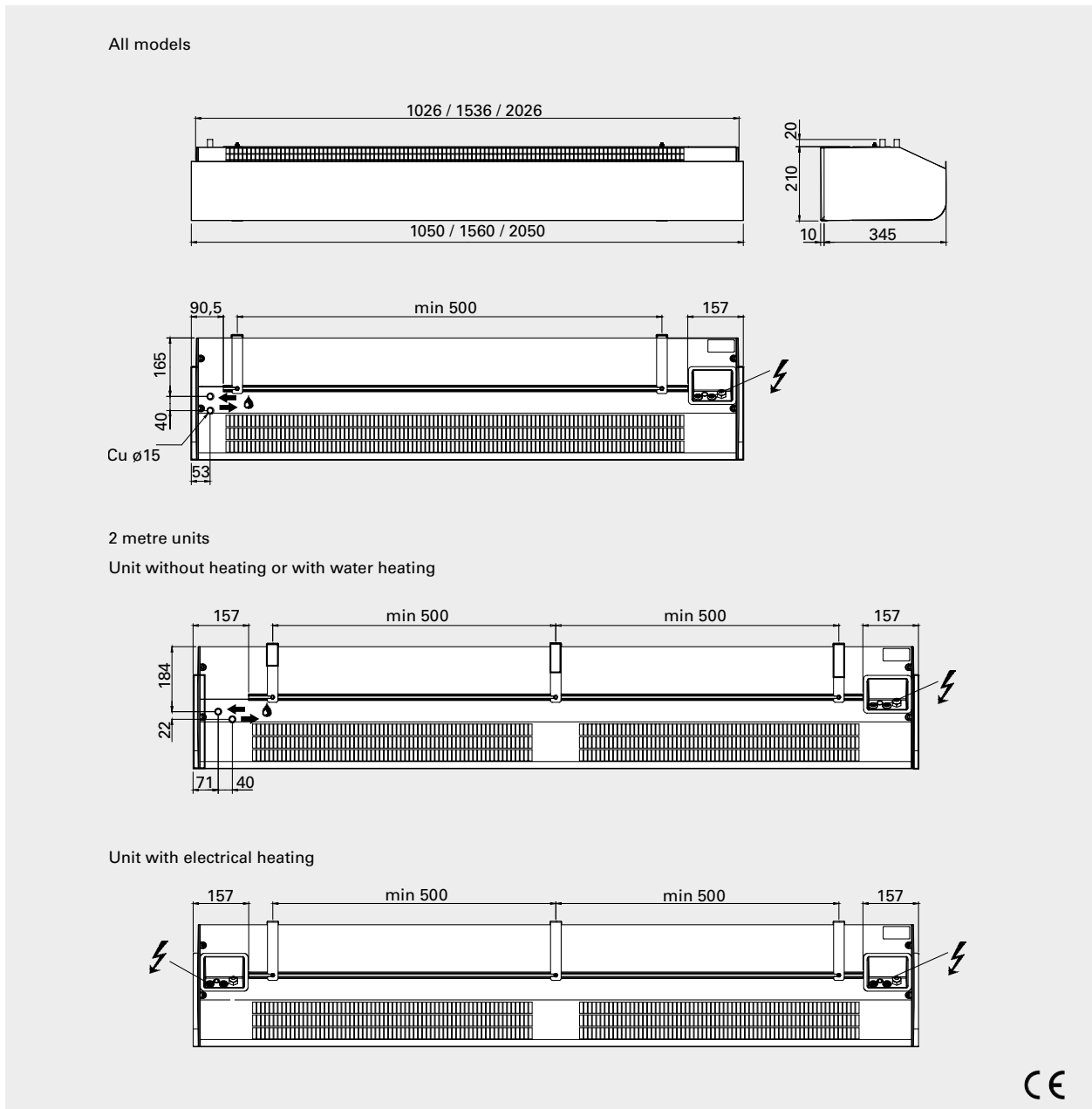
Control

The control system is integrated in the air curtain. The air curtain has a control panel discretely integrated in the gable end and can be controlled by a separate remote control. The air speed is set manually. The heat is controlled automatically.



Door switch control PA2DR is available as an accessory for a door switch function. Possibility of using external on/off.

Dimensions



Accessories PA2200C - see PA3200C.