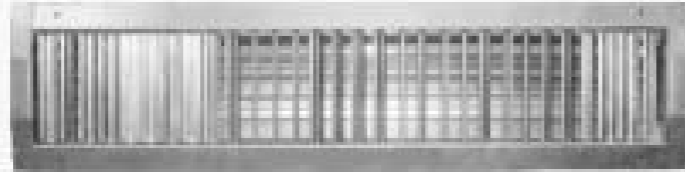


Grilles for spiral ducts



Grilles for spiral ducts, Single deflection **GSD-S**

Grilles for spiral ducts, Double deflection **GSD-D**

*Installed directly on a circular duct without frames or other fastening devices,

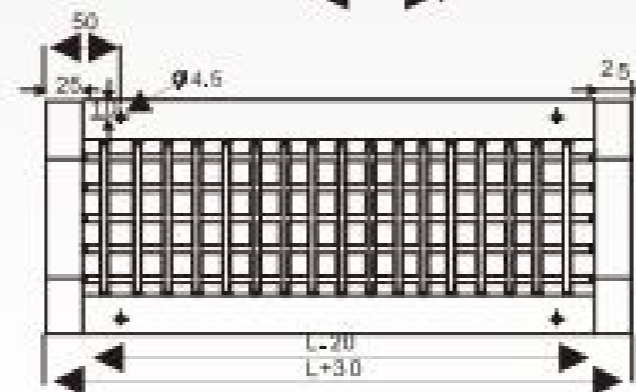
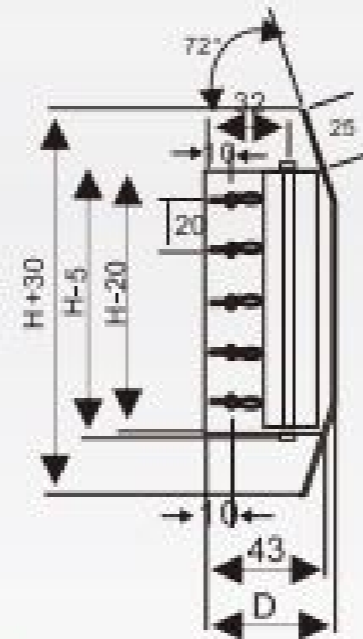
*Used for large locations where the circular duct is visible, e.g. in warehouse, factories, workshops, gymnasiums etc.

*Fits round ducts in dim. 150-1400mm

*Made from galvanized steel sheet, alternatively can be supplied powder coated in RAL colour.

*The vanes can be adjusted manually and individually to obtain an optimal air distribution.

*Accessories and mounting: Inclined sliding damper.
Visible screw mounting.



L*H (mm)	Q (m ³ /h)	Dia.Spiro (mm)	D (mm)
425×75	140	160-140	43
525×75	175	160-400	43
625×75	200	160-400	43
425×125	275	315-900	52
525×125	340	315-900	52
625×125	400	315-900	52
825×125	550	315-900	52
1025×125	700	315-900	52
425×175	400	450-1200	52
525×175	520	450-1200	52
625×175	615	450-1200	52
825×175	810	450-1200	52
1025×175	1000	450-1200	52
425×225	525	630-1400	61
525×225	660	630-1400	61
625×225	800	630-1400	61
825×225	1050	630-1400	61
1025×225	1300	630-1400	61