

# Fan Louvre Shutters

## Automatic Version / Type WSK



- Plastic fan louvre shutter for exhaust ventilation
- Self-adjusting blades
- Outdoor weathering resistant (UV-stabilized)
- Suitable for an operating temperature range of -30°C to +60°C
- Maximum flow velocity 10 m/s for WSK 15 - 65
- Maximum flow velocity 15 m/s from WSK 90
- Opening angle 85°
- Specific design guarantees high durability
- Manufactured of high standard ecologically friendly plastic
- Number of blades varies according to the size of the shutter
- WSK 55 – 65 divided by a middle strap
- WSK 70 – 85 divided into two parts

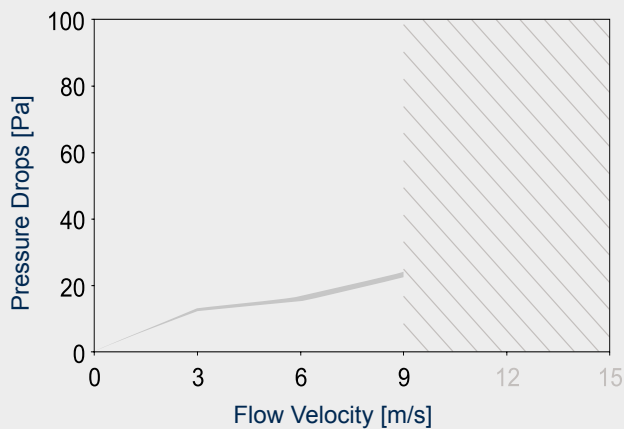


Pic.: WSK 40

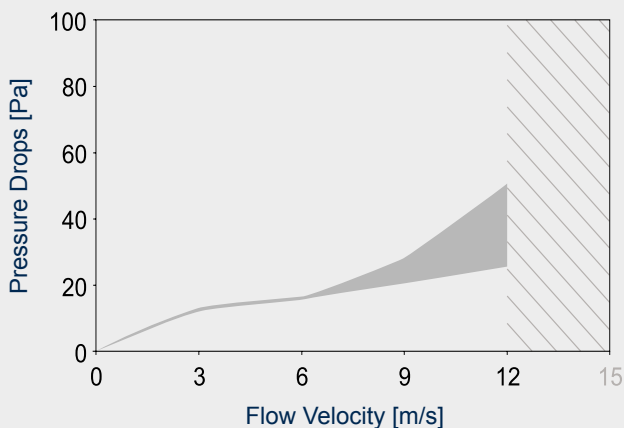


Pic.: WSK 65

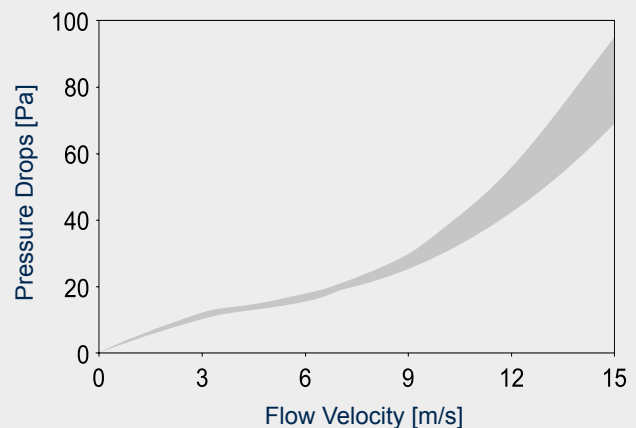
Pressure Drops WSK 10 - 12 / WSK S 16



Pressure Drops WSK 15 - 50



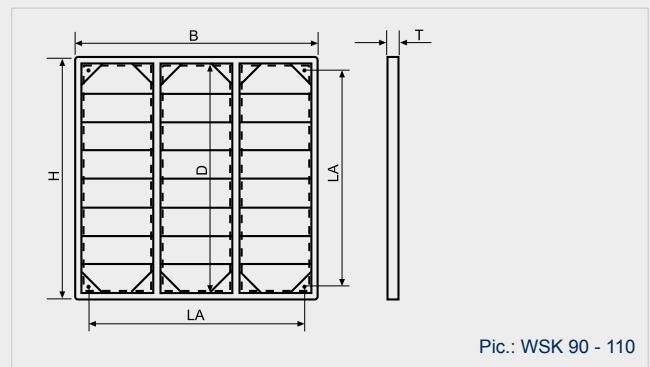
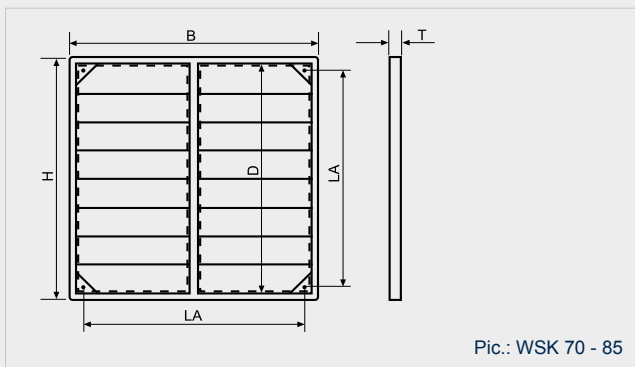
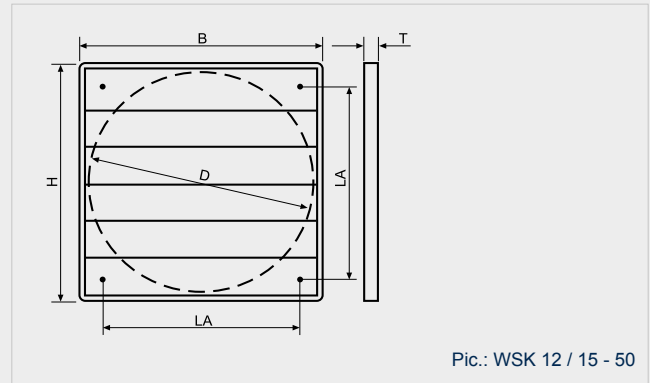
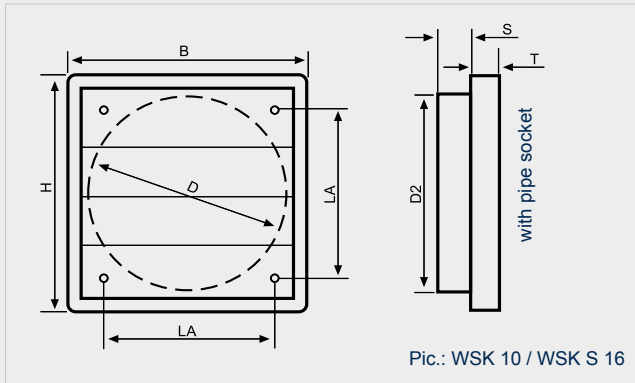
Pressure Drops WSK 55 - 110



- From WSK 90 divided into three parts; supplied in three parts for self-assembly
- From WSK 70 all louvre shutters are equipped with an elongated hole to fasten it on the wall (see also pic. 6, page 32)
- Each louvre shutter is individually carton-packed incl. a set of fastening parts (hole size 5 mm) except: WSK 12, WSK 15 and WSK S 16
- Available as special fabrication (WSK- S) in all sizes

# Fan Louvre Shutters

Automatic Version / Type WSK



Type	Article-No.		D	H/B	LA	T	S	D2	Free cross-section (cm <sup>2</sup> )
	light grey	white							
WSK 10	-	20000000	93	123	90	12	13	98	66
WSK 12	20000011	20000012	129	160	110	15	-	-	127
WSK S 16	20000021	20000020	147	180	130	20	25	152	164

Type	Article-No.	D	H/B	LA	T	Qty./ Box	Free cross-section (cm <sup>2</sup> )
	light grey						
WSK 15	20000031	159	195	140	22	50	196
WSK 20	20000041	210	243	182	21	50	336
WSK 25	20000051	258	294	232	26	30	507
WSK 30	20000061	310	346	276	26	25	732
WSK 35	20000071	360	397	310	26	20	987
WSK 40	20000081	422	462	366	26	10	1356
WSK 45	20000091	462	501	395	31	10	1626
WSK 50	20000101	505	548	443	31	5	1942
WSK 55*	20000111	563	603	520	28	5	3019
WSK 65*	20000121	655	696	628	31	5	3969
WSK 70**	20000201	700	740	670	40	1	4586
WSK 71**	20000203	720	760	690	40	1	4859
WSK 75**	20000205	750	790	720	40	1	5213
WSK 80**	20000207	800	840	772	40	1	6031
WSK 85**	20000209	850	890	822	40	1	6581
WSK 90***	20000211	900	940	872	40	1	6926
WSK 95***	20000213	950	990	922	40	1	8235
WSK 100***	20000215	1000	1040	972	40	1	9171
WSK 110***	20000305	1100	1140	1072	40	1	11159

Dimensions in mm. Subject to technical changes.

light grey ~ RAL 7035 / white ~ RAL 9010  
 \* with middle strap / \*\* divided into two parts / \*\*\* divided into three parts