

# CMPH



**Medium pressure centrifugal fans fitted with multiblade impeller and heat-resistant compartment with a mineral fibre coating.**



**Fan:**

- Sheet steel structure.
- Forward-curved impeller made of galvanised sheet steel.
- Heat-resistant compartment with high-density mineral fibre and high thermal and acoustic insulation power.

**Motor:**

- Class F motors with ball bearings and IP55 protection.
- IE3 efficiency motors for powers equal to or greater than 0.75 kW except single-phase, 2-speed and 8-pole.
- Three-phase 230/400 V - 50 Hz (up to 4 kW) and 400/690 V - 50 Hz (powers higher than 4 kW).

- Maximum temperature of air to be carried: -20 °C +250 °C.

**Finish:**

- Treated with heat-resistant paint.

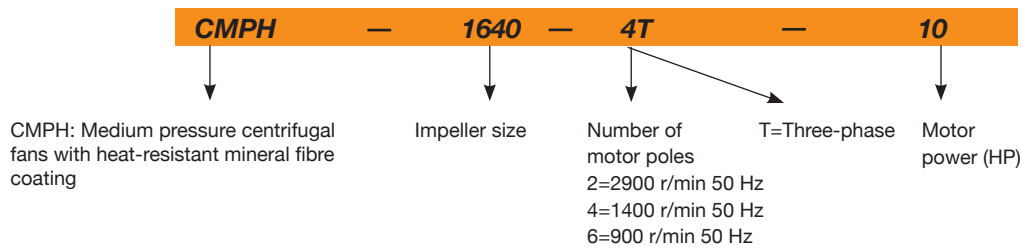
**On request:**

- Special windings for different voltages.
- Construction entirely of stainless steel.



Compartment insulated with high thermal insulation mineral fibre.

## Order code



## Technical characteristics

Model	Speed (r/min)	Maximum admissible current (A)			Installed power (kW)	Maximum flow rate (m <sup>3</sup> /h)	Sound pressure level dB(A)	Approx. weight (kg)
		230 V	400 V	690 V				
CMPH-512-2T-0.25	2750	1.21	0.70		0.18	475	62	7
CMPH-512-4T-0.16	1320	0.96	0.56		0.12	255	55	7
CMPH-514-2T-0.25	2750	1.21	0.70		0.18	800	65	11
CMPH-514-4T-0.16	1320	0.96	0.56		0.12	565	58	11
CMPH-616-2T-0.5	2710	1.92	1.11		0.37	1380	69	13
CMPH-616-4T-0.16	1320	0.96	0.56		0.12	850	61	11
CMPH-620-2T-0.5	2710	1.92	1.11		0.37	765	68	15
CMPH-620-4T-0.16	1320	0.96	0.56		0.12	810	61	13
CMPH-718-2T-1 IE3	2825	2.80	1.62		0.75	1485	70	23
CMPH-718-4T-0.33	1350	1.52	0.88		0.25	1280	63	15
CMPH-820-2T-1.5 IE3	2830	4.03	2.34		1.10	1950	73	21
CMPH-820-4T-0.33	1350	1.52	0.88		0.25	1670	66	15
CMPH-922-2T-1.5 IE3	2830	4.03	2.34		1.10	1650	70	25
CMPH-922-2T-2 IE3	2875	5.34	3.07		1.50	2010	71	31
CMPH-922-2T-3 IE3	2910	7.32	4.21		2.20	2600	74	34
CMPH-922-4T-0.75	1380	2.92	1.69		0.55	2450	66	22
CMPH-1025-2T-3 IE3	2910	7.32	4.21		2.20	2100	73	35
CMPH-1025-2T-4 IE3	2910	10.00	5.77		3.00	2830	77	41

# CENTRIFUGAL FANS AND IN-LINE DUCT EXTRACTOR FANS

## Technical characteristics

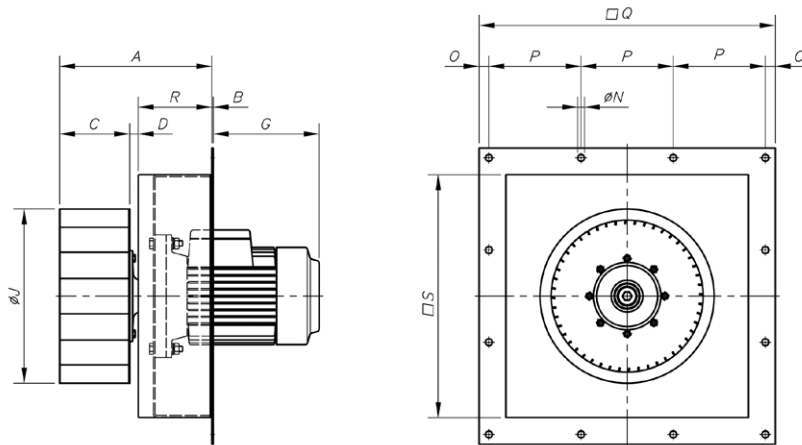
Model	Speed (r/min)	Maximum admissible current (A)			Installed power (kW)	Maximum flow rate (m³/h)	Sound pressure level dB(A)	Approx. weight (kg)
		230 V	400 V	690 V				
CMPH-1025-4T-1.5 IE3	1455	4.07	2.34		1.10	3400	70	31
CMPH-1128-2T-4 IE3	2910	10.00	5.77		3.00	2220	77	46
CMPH-1128-2T-5.5 IE3	2900	13.00	7.50		4.00	3210	81	59
CMPH-1128-4T-3 IE3	1435	7.93	4.56		2.20	5000	74	45
CMPH-1128-6T-1 IE3	940	3.36	1.93		0.75	3300	60	39
CMPH-1231-4T-3 IE3	1435	7.93	4.56		2.20	4740	73	45
CMPH-1231-4T-4 IE3	1440	10.70	6.15		3.00	5910	75	51
CMPH-1231-4T-5.5 IE3	1450	13.90	8.00		4.00	6850	77	53
CMPH-1231-6T-2 IE3	950	6.43	3.70		1.50	5115	64	47
CMPH-1435-4T-4 IE3	1440	10.70	6.15		3.00	5560	76	52
CMPH-1435-4T-5.5 IE3	1450	13.90	8.00		4.00	6260	78	55
CMPH-1435-4T-7.5 IE3	1465		10.30	5.97	5.50	7210	80	90
CMPH-1435-6T-3 IE3	950	9.08	5.22		2.20	6400	66	54
CMPH-1640-4T-5.5 IE3	1450	13.90	8.00		4.00	7500	77	67
CMPH-1640-4T-7.5 IE3	1465		10.30	5.97	5.50	8035	80	102
CMPH-1640-4T-10 IE3	1465		13.90	8.06	7.50	9710	82	106
CMPH-1640-6T-3 IE3	950	9.08	5.22		2.20	8100	71	66
CMPH-1845-4T-7.5 IE3	1465		10.30	5.97	5.50	8965	82	113
CMPH-1845-4T-10 IE3	1465		13.90	8.06	7.50	10350	85	117
CMPH-1845-6T-3 IE3	950	9.08	5.22		2.20	8330	77	77
CMPH-2050-4T-10 IE3	1465		13.90	8.06	7.50	9000	83	128
CMPH-2050-4T-15 IE3	1470		20.90	12.10	11.00	12525	87	156
CMPH-2050-4T-20 IE3	1465		27.90	16.20	15.00	19000	89	167
CMPH-2050-6T-5.5 IE3	960	15.60	8.99		4.00	11000	79	122
CMPH-2563-6T-15 IE3	975		21.90	12.70	11.00	16500	86	202
CMPH-2563-6T-25 IE3	980		35.90	20.80	18.50	28000	87	306

## Acoustic characteristics

Sound power spectrum Lw(A) in dB(A) per Hz frequency band

	63	125	250	500	1000	2000	4000	8000		63	125	250	500	1000	2000	4000	8000
CMPH-512-2T-0.25	37	47	58	65	69	66	64	57	CMPH-1128-6T-1	35	45	56	63	67	64	62	55
CMPH-512-4T-0.16	30	40	51	58	62	59	57	50	CMPH-1231-4T-3	51	60	71	78	82	80	78	71
CMPH-514-2T-0.25	40	50	61	68	72	69	67	60	CMPH-1231-4T-4	53	62	73	80	84	82	80	73
CMPH-514-4T-0.16	33	43	54	61	65	62	60	53	CMPH-1231-4T-5.5	55	64	75	82	86	84	82	75
CMPH-616-2T-0.5	44	54	65	72	76	73	71	64	CMPH-1231-6T-2	42	51	62	69	73	71	69	62
CMPH-616-4T-0.16	36	46	57	64	68	65	63	56	CMPH-1435-4T-4	54	63	74	81	85	83	81	74
CMPH-620-2T-0.5	43	53	64	71	75	72	70	63	CMPH-1435-4T-5.5	56	65	76	83	87	85	83	76
CMPH-620-4T-0.16	36	46	57	64	68	65	63	56	CMPH-1435-4T-7.5	58	67	78	85	89	87	85	78
CMPH-718-2T-1	45	55	66	73	77	74	72	65	CMPH-1435-6T-3	44	53	64	71	75	73	71	64
CMPH-718-4T-0.33	38	48	59	66	70	67	65	58	CMPH-1640-4T-5.5	55	64	75	82	86	84	82	75
CMPH-820-2T-1.5	48	58	69	76	80	77	75	68	CMPH-1640-4T-7.5	58	67	78	85	89	87	85	78
CMPH-820-4T-0.33	41	51	62	69	73	70	68	61	CMPH-1640-4T-10	60	69	80	87	91	89	87	80
CMPH-922-2T-1.5	45	55	66	73	77	74	72	65	CMPH-1640-6T-3	49	58	69	76	80	78	76	69
CMPH-922-2T-2	46	56	67	74	78	75	73	66	CMPH-1845-4T-7.5	61	71	82	89	93	91	89	81
CMPH-922-2T-3	49	59	70	77	81	78	76	69	CMPH-1845-4T-10	64	74	85	92	96	94	92	84
CMPH-922-4T-0.75	41	51	62	69	73	70	68	61	CMPH-1845-6T-3	56	66	77	84	88	86	84	76
CMPH-1025-2T-3	48	58	69	76	80	77	75	68	CMPH-2050-4T-10	62	72	83	90	94	92	90	82
CMPH-1025-2T-4	52	62	73	80	84	81	79	72	CMPH-2050-4T-15	66	76	87	94	98	96	94	86
CMPH-1025-4T-1.5	45	55	66	73	77	74	72	65	CMPH-2050-4T-20	68	78	89	96	100	98	96	88
CMPH-1128-2T-4	52	62	73	80	84	81	79	72	CMPH-2050-6T-5.5	58	68	79	86	90	88	86	78
CMPH-1128-2T-5.5	56	66	77	84	88	85	83	76	CMPH-2563-6T-15	67	77	88	95	99	96	94	87
CMPH-1128-4T-3	49	59	70	77	81	78	76	69	CMPH-2563-6T-25	68	78	89	96	100	97	95	88

## Dimensions mm



	A	B	C	D	G Max.	øJ	øN	O	P	Q	R	S
CMPH-512	108	3	50.5	6.5	159	120	7	12	97	315	50	260
CMPH-514	158.5	3	51.5	7	109	140	7	10	125	395	100	340
CMPH-616	169.5	3	62	6.5	155	160	7	10	125	395	100	353
CMPH-718	179.5	3	74	5	180	180	7	10	125	395	100	340
CMPH-620-2T-0.5	167	3	62	5	155	200	7	10	125	395	100	340
CMPH-620-4T-0.14	167	3	62	9	155	200	7	10	125	395	100	340
CMPH-820	187	3	82	4.5	180	200	7	10	125	395	100	340
CMPH-922	246.5	3	92	4.5	186	225	9	15	150	480	150	400
CMPH-1025	256.5	3	102	4.5	210	250	9	15	150	480	150	400
CMPH-1128	279.5	3	114	15	239	280	14	20	188	604	150	495
CMPH-1231	293.5	3	128	15	239	315	14	20	188	604	150	495
CMPH-1435	310.5	3	143	17.5	277	355	14	20	188	604	150	495
CMPH-1640	332	5	163	17.5	277	404	14	15	200	630	150	565
CMPH-1845-4T-7.5	353	5	180	23.5	277	454	14	16	236	740	150	673
CMPH-1845-4T-10	353	5	180	23.5	277	454	14	16	236	740	150	673
CMPH-1845-6T-3	347	5	180	17.5	239	454	14	16	236	740	150	673
CMPH-2050	376.5	5	204	23.5	388	500	14	16	236	740	150	673
CMPH-2563-6T-15	425	5	254	22.5	555	630	14	19	284	890	150	813
CMPH-2563-6T-25	443.5	5	254	39.5	555	630	14	19	284	890	150	813

## Characteristic curves

See CMP series characteristic curves.

## Accessories

See accessories section.



INT

C2V

RM

VSD3/A-RFT

AET