

FSR 10

Electronic Speed controller



SPECIFICATIONS

Application:

These electronic speed controllers provide control of an economic means of speed regulation for voltage controllable single-phase AC motors.

There are two working modes:

1. 'Hard' start: The motor will always start (or restart) at max. speed for 8-10 seconds, after that the motor speed automatically follows the potentiometer position.
2. Normal start: the motor starts according to the potentiometer position.

Technical data:

Voltage supply: 230 Vac 50Hz

Control type: Potentiometer

Infinitely variable speed control

Switch: On/Off

Minimum speed: Internally adjustable via trimmer potentiometer

Protection: fast current fuse

Max. Ambient temperature up to 35°C

Noise level reduction.

Radio interference protected.

Compliant with CE requirements:

Radio interference suppression EN 61000-6-3

Interference immunity EN 61000-6-2

Enclosure and Mounting:

ABS RAL 3075; surface

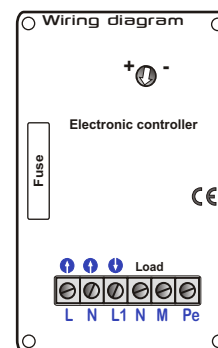
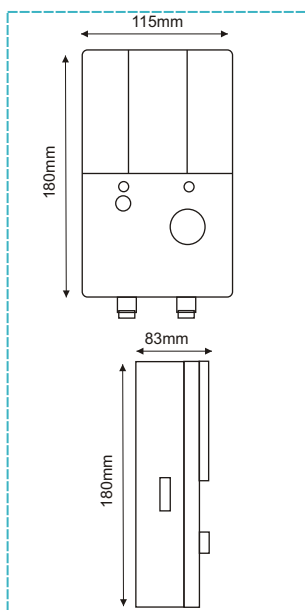
Connection:

According to wiring diagram

Type	Order code	Current AC
FSR40	150 140	4.0A
FSR60	150 160	6.0A
FSR100	150 100	10.0A

Dimensions: 180*115*65

Weight: 400 - 860 gr



L-N - Supply live 230V 50 Hz.
L1-N - 230 Vac not regulated output.
M-N - Regulated output live, motor.
F - Fuse.

