

CPV



Anti-corrosive finished, single inlet centrifugal fans made of polypropylene.



Fan:

- Polypropylene casing.
- Forward-curved impeller made of polypropylene.

Motor:

- IE3 efficiency motors for powers equal to or greater than 0.75 kW except single-phase, 2-speed and 8-pole.
- Class F motors with ball bearings and IP55 protection.
- Three-phase 230/400 V - 50 Hz (up to 4 kW) and 400/690 V - 50 Hz (powers higher than 4 kW).
- Maximum temperature of air to be carried: -20 °C +70 °C.

Finish:

- Corrosive-proof in plastic material.

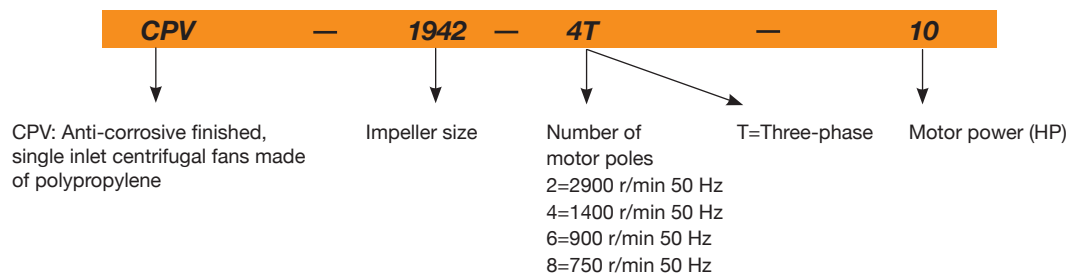
On request:

- Special windings for different voltages.
- ATEX-certified Category 2.



Modern appearance and design

Order code



Technical characteristics

| Model | Speed (r/min) | Maximum admissible current (A) | | | Installed power (kW) | Maximum flow rate (m ³ /h) | Sound pressure level (dB(A)) | Approx. weight (kg) |
|----------------------|------------------|--------------------------------|-------|-------|-------------------------|--|---------------------------------|------------------------|
| | | 230 V | 400 V | 690 V | | | | |
| *CPV-720-2T | 2710 | 1.92 | 1.11 | | 0.37 | 525 | 75 | 10 |
| *CPV-815-2T | 2710 | 1.92 | 1.11 | | 0.37 | 950 | 75 | 14 |
| *CPV-815-4T | 1350 | 1.52 | 0.88 | | 0.25 | 450 | 58 | 14 |
| CPV-825-2T IE3 | 2830 | 4.03 | 2.34 | | 1.10 | 1140 | 79 | 18 |
| CPV-930-2T IE3 | 2910 | 7.32 | 4.21 | | 2.20 | 1750 | 84 | 29 |
| CPV-1020-2T IE3 | 2825 | 2.80 | 1.62 | | 0.75 | 2000 | 81 | 25 |
| CPV-1020-4T | 1350 | 1.52 | 0.88 | | 0.25 | 1250 | 65 | 20 |
| CPV-1020-6T | 900 | 1.51 | 0.87 | | 0.25 | 750 | 53 | 20 |
| CPV-1160-4T IE3 | 1470 | | 20.90 | 12.10 | 11.00 | 8000 | 83 | 268 |
| CPV-1325-2T IE3 | 2910 | 7.32 | 4.21 | | 2.20 | 3250 | 87 | 32 |
| CPV-1325-4T | 1370 | 2.02 | 1.17 | | 0.37 | 2300 | 69 | 27 |
| CPV-1325-6T | 900 | 1.51 | 0.87 | | 0.25 | 1400 | 59 | 27 |
| CPV-1335-2T IE3 | 2930 | | 10.10 | 5.86 | 5.50 | 4700 | 84 | 114 |
| CPV-1630-4T IE3 | 1440 | 5.41 | 3.11 | | 1.50 | 4500 | 75 | 43 |
| CPV-1630-6T | 900 | 2.99 | 1.73 | | 0.55 | 2700 | 63 | 35 |
| CPV-1840-4T IE3 | 1440 | 10.70 | 6.15 | | 3.00 | 6000 | 70 | 53 |
| CPV-1840-6T IE3 | 945 | 4.68 | 2.69 | | 1.10 | 4200 | 65 | 48 |
| *CPV-1942-4T-7.5 IE3 | 1465 | | 10.30 | 5.97 | 5.50 | 8500 | 79 | 89 |
| *CPV-1942-4T-10 IE3 | 1465 | | 13.90 | 8.06 | 7.50 | 10500 | 84 | 93 |
| *CPV-1942-6T IE3 | 950 | 9.08 | 5.22 | | 2.20 | 7000 | 75 | 53 |
| *CPV-1942-8T | 705 | 7.10 | 4.10 | | 1.50 | 5500 | 70 | 56 |
| CPV-2045-4T IE3 | 1465 | | 13.90 | 8.06 | 7.50 | 10400 | 78 | 118 |
| CPV-2045-6T IE3 | 970 | 12.00 | 6.91 | | 3.00 | 7000 | 72 | 88 |
| CPV-2060-4T IE3 | 1470 | | 20.90 | 12.10 | 11.00 | 12000 | 81 | 270 |
| CPV-2160-4T IE3 | 1465 | | 27.90 | 16.20 | 15.00 | 15500 | 77 | 299 |

*Only LG admit position

Acoustic characteristics

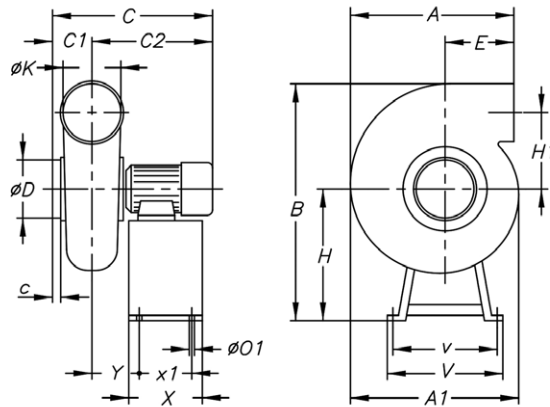
The indicated values are determined by measuring the sound pressure level and sound power in dB(A) obtained in a free field at a distance equivalent to twice the size of the fan plus the impeller diameter, with a minimum of 1.5 m.

Sound power spectrum Lw(A) in dB(A) per Hz frequency band

| Model | 63 | 125 | 250 | 500 | 1000 | 2000 | 4000 | 8000 | Model | 63 | 125 | 250 | 500 | 1000 | 2000 | 4000 | 8000 |
|---------|----|-----|-----|-----|------|------|------|------|-------------|----|-----|-----|-----|------|------|------|------|
| 720-2T | 56 | 69 | 77 | 81 | 81 | 77 | 73 | 65 | 1630-4T | 60 | 73 | 81 | 85 | 86 | 82 | 78 | 69 |
| 815-2T | 56 | 69 | 77 | 81 | 81 | 77 | 73 | 65 | 1630-6T | 48 | 61 | 69 | 73 | 74 | 70 | 66 | 57 |
| 815-4T | 39 | 52 | 60 | 64 | 64 | 60 | 56 | 48 | 1840-4T | 55 | 68 | 76 | 80 | 81 | 77 | 73 | 64 |
| 825-2T | 60 | 73 | 81 | 85 | 85 | 81 | 77 | 69 | 1840-6T | 50 | 63 | 71 | 75 | 76 | 72 | 68 | 59 |
| 930-2T | 65 | 78 | 86 | 90 | 90 | 86 | 82 | 74 | 1942-4T-7,5 | 75 | 85 | 87 | 90 | 89 | 89 | 87 | 78 |
| 1020-2T | 62 | 75 | 83 | 87 | 87 | 83 | 79 | 71 | 1942-4T-10 | 80 | 90 | 92 | 95 | 94 | 94 | 92 | 83 |
| 1020-4T | 46 | 59 | 67 | 71 | 71 | 67 | 63 | 55 | 1942-6T | 71 | 81 | 83 | 86 | 85 | 85 | 83 | 74 |
| 1020-6T | 34 | 47 | 55 | 59 | 59 | 55 | 51 | 43 | 1942-8T | 66 | 76 | 78 | 81 | 80 | 80 | 78 | 69 |
| 1160-4T | 68 | 81 | 89 | 93 | 94 | 90 | 86 | 77 | 2045-4T | 63 | 76 | 84 | 88 | 89 | 85 | 81 | 72 |
| 1325-2T | 70 | 83 | 91 | 95 | 96 | 92 | 88 | 79 | 2045-6T | 57 | 70 | 78 | 82 | 83 | 79 | 75 | 66 |
| 1325-4T | 52 | 65 | 73 | 77 | 78 | 74 | 70 | 61 | 2060-4T | 66 | 79 | 87 | 91 | 92 | 88 | 84 | 75 |
| 1325-6T | 42 | 55 | 63 | 67 | 68 | 64 | 60 | 51 | 2160-4T | 64 | 77 | 85 | 89 | 89 | 85 | 81 | 73 |
| 1335-2T | 67 | 80 | 88 | 92 | 93 | 89 | 85 | 76 | | | | | | | | | |

Dimensions mm

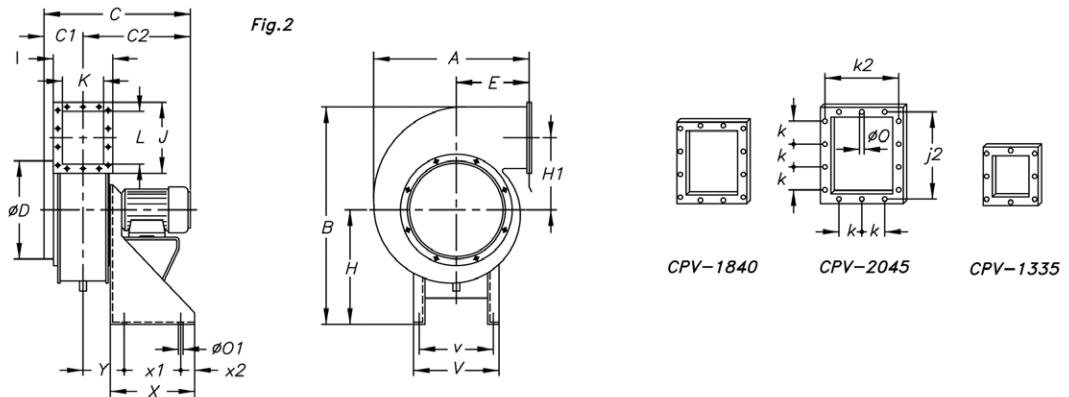
CPV-720...1942



| Fig. | A | A1 | B | C | C1 | C2 | c | øD | E | H | H1 | øK | øO1 | V | v | X | x1 | Y | |
|---------------|---|-----|-----|------|-------|-----|-------|----|-----|-----|-----|-------|-----|---|-----|-----|-----|-----|-------|
| CPV-720 | 1 | 375 | - | 486 | 350 | 80 | 270 | 45 | 90 | 212 | 311 | 130 | 90 | 6 | 340 | 320 | 180 | 160 | 92 |
| CPV-815 | 1 | 307 | 335 | 521 | 360 | 100 | 260 | 30 | 125 | 100 | 281 | 177.5 | 125 | 8 | 355 | 335 | 180 | 160 | 90 |
| CPV-825 | 1 | 445 | - | 552 | 433 | 110 | 323 | 55 | 125 | 218 | 320 | 170 | 125 | 6 | 340 | 320 | 180 | 160 | 103 |
| CPV-930 | 1 | 540 | - | 678 | 477 | 100 | 377 | 40 | 160 | 262 | 390 | 205 | 160 | 6 | 420 | 400 | 240 | 160 | 137 |
| CPV-1020-2T | 1 | 340 | 397 | 593 | 445.5 | 116 | 329.5 | 32 | 160 | 100 | 290 | 223 | 160 | 8 | 355 | 335 | 180 | 160 | 127.5 |
| CPV-1020-4/6T | 1 | 340 | 397 | 584 | 422.5 | 116 | 306.5 | 32 | 160 | 100 | 281 | 223 | 160 | 8 | 355 | 335 | 180 | 160 | 122.5 |
| CPV-1325-2T | 1 | 413 | 505 | 735 | 494 | 130 | 364 | 35 | 200 | 103 | 370 | 265 | 200 | 8 | 400 | 380 | 180 | 160 | 125 |
| CPV-1325-4/6T | 1 | 413 | 505 | 716 | 432.5 | 130 | 302.5 | 35 | 200 | 103 | 351 | 265 | 200 | 8 | 400 | 380 | 180 | 160 | 113.5 |
| CPV-1630-4T | 1 | 480 | 602 | 890 | 536.5 | 145 | 391.5 | 35 | 250 | 117 | 440 | 323 | 250 | 8 | 450 | 430 | 240 | 220 | 142.5 |
| CPV-1630-6T | 1 | 480 | 602 | 880 | 503 | 145 | 358 | 35 | 250 | 117 | 430 | 323 | 250 | 8 | 450 | 430 | 240 | 220 | 138 |
| CPV-1942-4T | 1 | 580 | 750 | 1170 | 730.5 | 210 | 520.5 | 60 | 315 | 130 | 600 | 412.5 | 315 | 8 | 600 | 564 | 350 | 314 | 181.5 |
| CPV-1942-6/8T | 1 | 580 | 750 | 1150 | 679.5 | 210 | 469.5 | 60 | 315 | 130 | 580 | 412.5 | 315 | 8 | 600 | 564 | 350 | 314 | 204 |

Dimensions mm

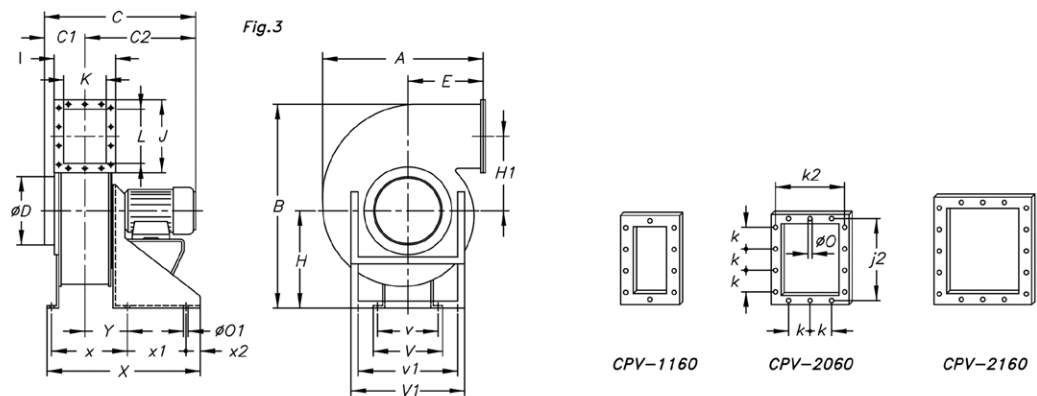
CPV-1335...2045



| Fig. | A | B | C | C1 | C2 | øD | E | H | H1 | I | J | j2 | K | k | k2 | L | |
|-------------|---|-----|------|-----|-----|-----|-----|-----|-----|-----|-----|-----|-----|-----|-----|-----|-----|
| CPV-1335 | 2 | 566 | 788 | 675 | 175 | 500 | 225 | 255 | 452 | 246 | 240 | 256 | 226 | 160 | 100 | 210 | 180 |
| CPV-1840-4T | 2 | 628 | 819 | 660 | 210 | 450 | 355 | 275 | 420 | 259 | 305 | 356 | 326 | 225 | 100 | 275 | 280 |
| CPV-1840-6T | 2 | 628 | 809 | 630 | 210 | 420 | 355 | 275 | 410 | 259 | 305 | 356 | 326 | 225 | 100 | 275 | 280 |
| CPV-2045 | 2 | 724 | 1020 | 810 | 245 | 565 | 400 | 300 | 542 | 310 | 362 | 421 | 381 | 270 | 100 | 322 | 335 |

| | øO | øO1 | V | v | X | x1 | x2 | Y |
|-------------|----|-----|-----|-----|-----|-----|----|-----|
| CPV-1335 | 9 | 12 | 320 | 285 | - | 200 | 50 | 140 |
| CPV-1840-4T | 9 | 12 | 320 | 285 | 300 | 200 | 50 | 170 |
| CPV-1840-6T | 9 | 12 | 320 | 285 | 300 | 200 | 50 | 170 |
| CPV-2045 | 9 | 12 | 350 | 315 | 350 | 250 | 50 | 197 |

CPV-1160...2160



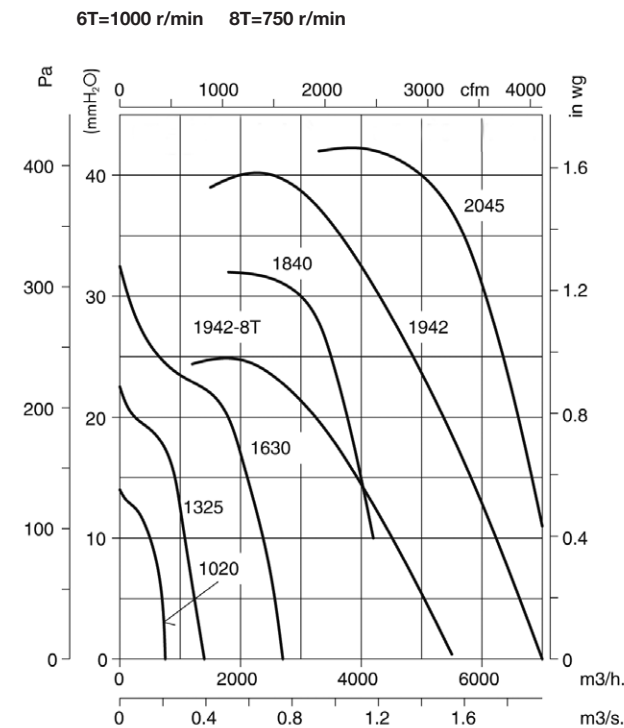
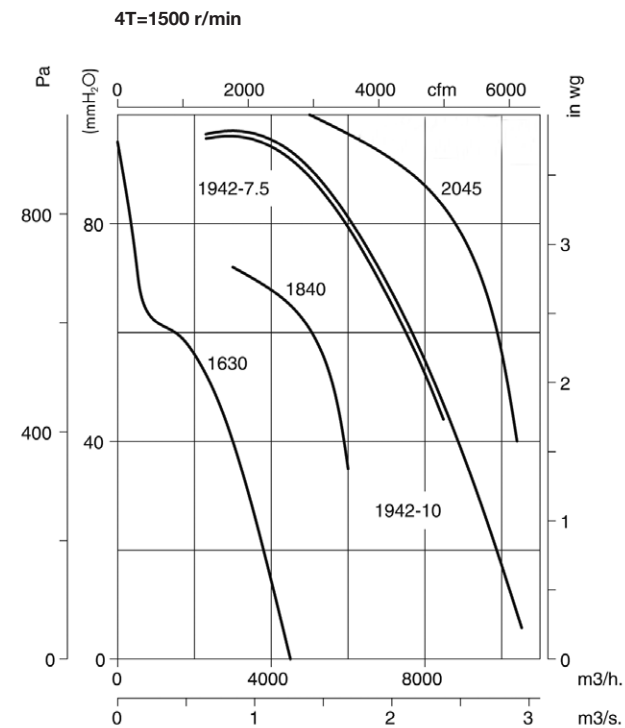
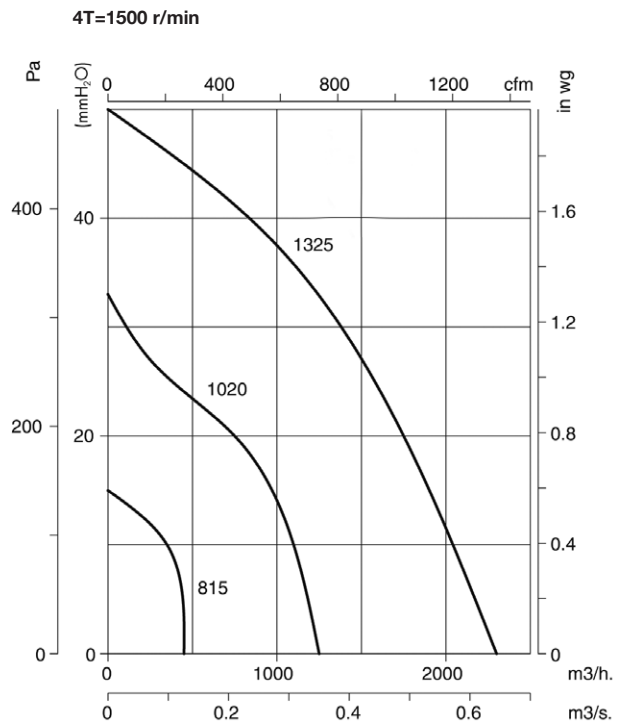
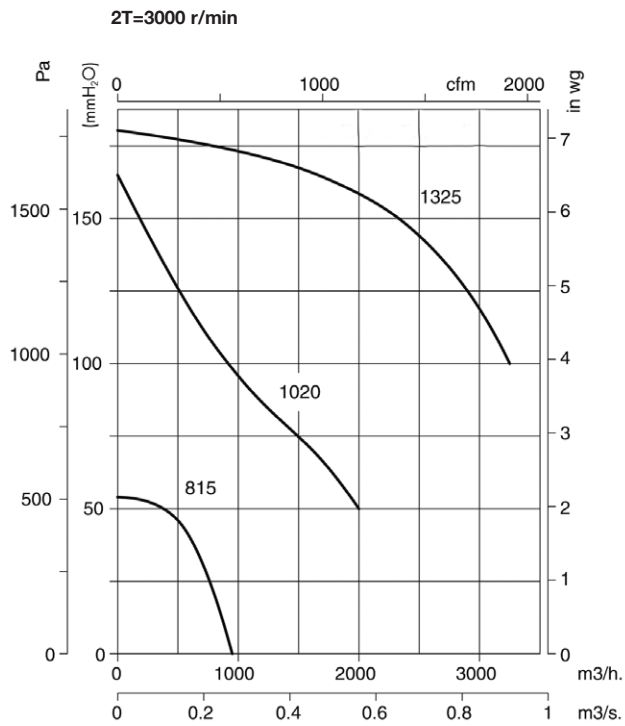
| Fig. | A | B | C | C1 | C2 | øD | E | H | H1 | I | J | j2 | K | k | k2 | L | |
|----------|---|-----|------|-----|-----|-----|-----|-----|-----|-------|-----|-----|-----|-----|-----|-----|-----|
| CPV-1160 | 3 | 937 | 1296 | 818 | 210 | 608 | 355 | 410 | 720 | 421 | 275 | 416 | 366 | 155 | 100 | 225 | 310 |
| CPV-2060 | 3 | 937 | 1296 | 938 | 270 | 668 | 400 | 410 | 720 | 421 | 395 | 416 | 366 | 275 | 100 | 345 | 310 |
| CPV-2160 | 3 | 981 | 1356 | 983 | 285 | 698 | 600 | 414 | 720 | 438.5 | 455 | 501 | 451 | 335 | 100 | 405 | 395 |

| | øO | øO1 | V | V1 | v | v1 | X | x | x1 | x2 | Y |
|----------|----|-----|-----|-----|-----|-----|-----|-----|-----|----|-----|
| CPV-1160 | 9 | 14 | 500 | 790 | 450 | 670 | 710 | 265 | 360 | 60 | 155 |
| CPV-2060 | 9 | 14 | 500 | 790 | 450 | 670 | 855 | 410 | 360 | 60 | 215 |
| CPV-2160 | 9 | 14 | 500 | 790 | 450 | 670 | 915 | 470 | 360 | 60 | 240 |

Characteristic curves

Q= Flow rate in m³/h, m³/s and cfm

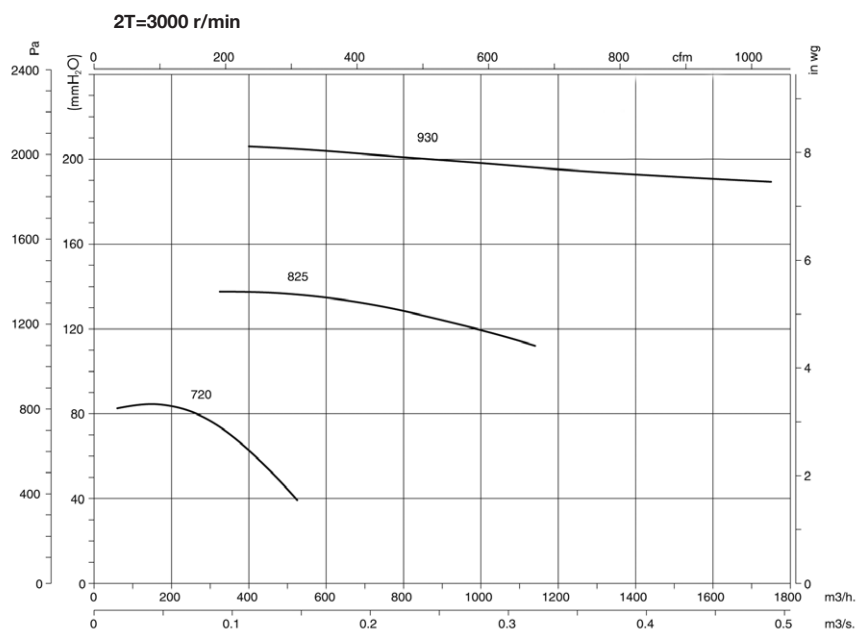
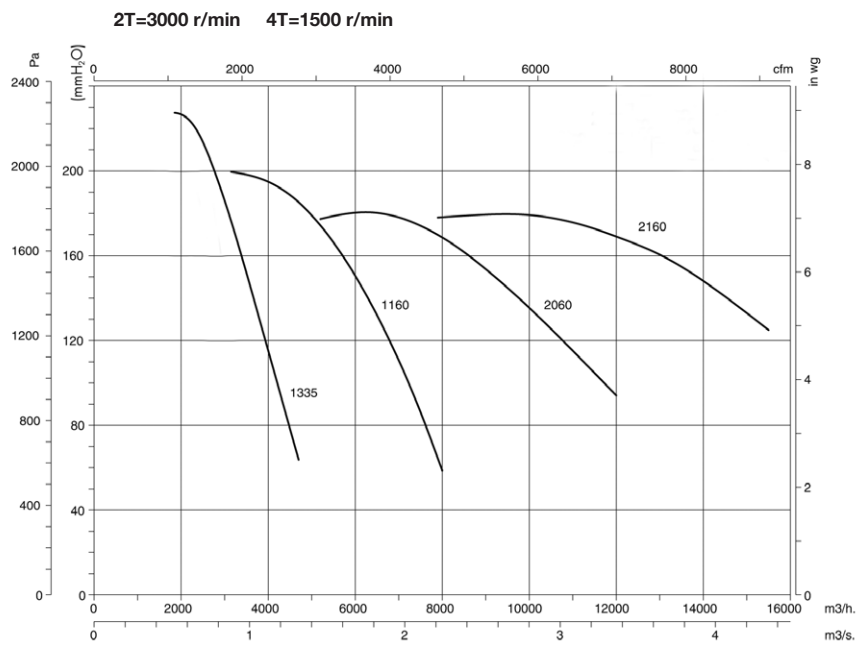
Pe= Static pressure in mm H₂O, Pa and inwg



Characteristic curves

Q= Flow rate in m³/h, m³/s and cfm

Pe= Static pressure in mm H₂O, Pa and inwg



Orientation

Standard supply LG 90



Accessories

See accessories section.

