



Elztrip EZ200

Double panel radiant heater for department stores, industrial premises etc.

EZ200 is intended for total and supplementary heating as well as protection against cold draughts from windows in environments such as, department stores, assembly halls, industrial premises etc.

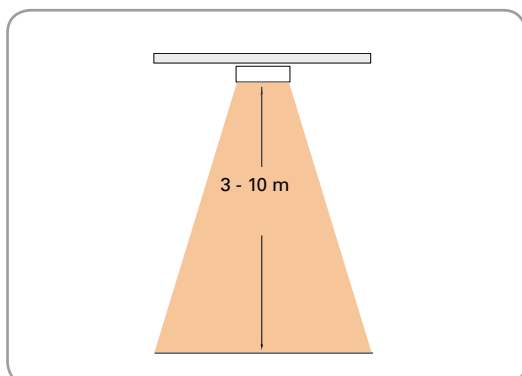
EZ200 is a double panel radiant heater with clean and simple design that blends well with electrical fittings.

- Integrated elements and a surface structure for improved efficiency.
- The heaters are approved for serial connection.
- To comply with Ecodesign Regulation (EU) 2015/1188 the unit must be installed with thermostat TAP16R (accessory). TAP16R has adaptive start, week program and open window detection.
- Standard mountings for installation included.
- Corrosion proof casing of hot zinc-plated and powder lacquered steel panels. Colour: RAL 9016, NCS S 0500-N. Heating panel of naturally anodised aluminium.

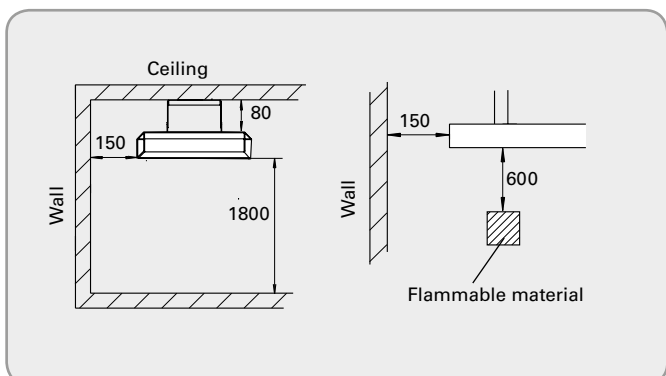
Elztrip EZ200 (IP44)

| Type | Heat output [W] | Voltage [V] | Amperage [A] | Max. element temperature [°C] | Dimensions LxHxW [mm] | Weight [kg] |
|---------|--------------------|----------------|-----------------|-------------------------------------|-----------------------------|----------------|
| EZ208 | 800 | 230V~ | 3,5 | 320 | 683x64x282 | 4,9 |
| EZ212 | 1200 | 230V~ | 5,2 | 320 | 923x64x282 | 6,8 |
| EZ217 | 1700 | 230V~ | 7,4 | 320 | 1221x64x282 | 8,8 |
| EZ222 | 2200 | 230V~ | 9,6 | 320 | 1520x64x282 | 10,7 |
| EZ20831 | 800 | 400V2~ | 2,0 | 320 | 683x64x282 | 4,9 |
| EZ21231 | 1200 | 400V2~ | 3,0 | 320 | 923x64x282 | 6,8 |
| EZ21731 | 1700 | 400V2~ | 4,3 | 320 | 1221x64x282 | 8,8 |
| EZ22231 | 2200 | 400V2~ | 5,5 | 320 | 1520x64x282 | 10,7 |

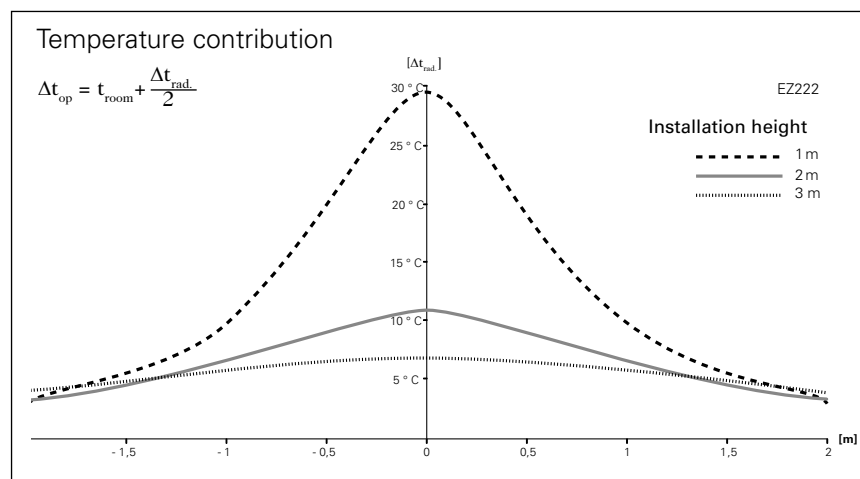
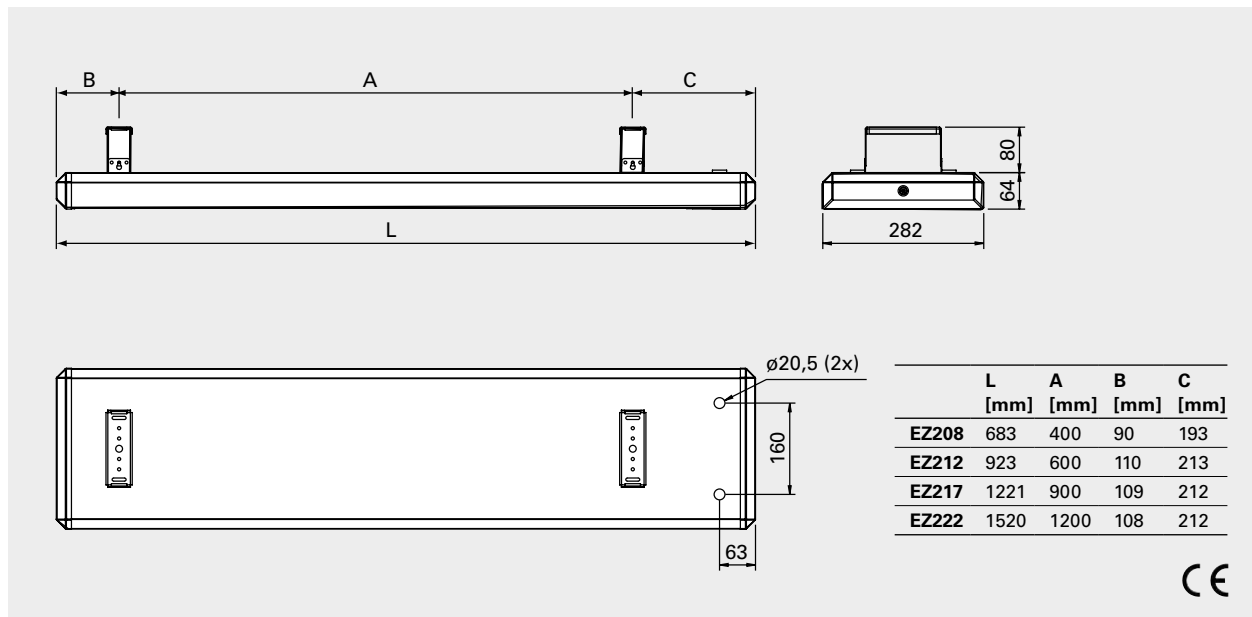
Installation height



Minimum distances



Dimensions



Elztrip is an elegant and effective solution to cold draught problems Hilton in Malmö has adopted this solution in their large glass lobby.



EZ200 is a perfect solution for heating working stations.

Elztrip EZ200

Positioning, mounting and installation

Positioning

To estimate approximately how many radiant heaters are needed to cover an area the formula is:

$$\text{Min. number of heaters} = \frac{\text{Area of the premises [m}^2\text{]}}{\text{Installation height [m]} \times \text{Installation height [m]}}$$

This formula is a basic estimation of the minimum number of radiant heaters needed to maintain the comfort. To calculate the right output for each heater, the total heating requirement must be calculated, see the Technical handbook.

When planning an Elztrip installation, the distance between the heaters should not be greater than the height between heater and floor, that means (a) should be less than (H). See Fig. 1. In rooms not often used, the comfort demands are usually lower and the distance between the heaters can be increased. In rooms frequently used, the distance between a sedentary person and heater should be at least between 1.5 to 2 metres (Δh). When these two guide lines are followed, the difference in operative temperature will not exceed the comfort level $\Delta t_{op} = 5\text{ }^\circ\text{C}$. This means that the difference between the real temperature and the temperature that we sense, will not be more than $5\text{ }^\circ\text{C}$.

Mounting

Elztrip is installed horizontally on ceilings, in armature rails, on cables, suspended, etc. Standard mountings for installation included. If the heater is suspended by wires, use the four mounting points on the heater. Standard fittings for mounting are included. When mounting on wire, suitable clips that prevent the panel from sliding should be acquired.

Connection

Elztrip is intended for permanent installation. The heaters are approved for serial connection.

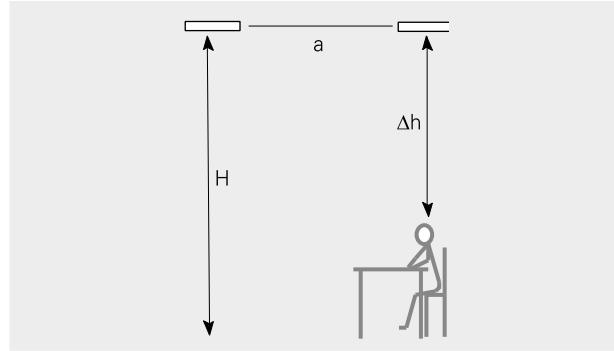
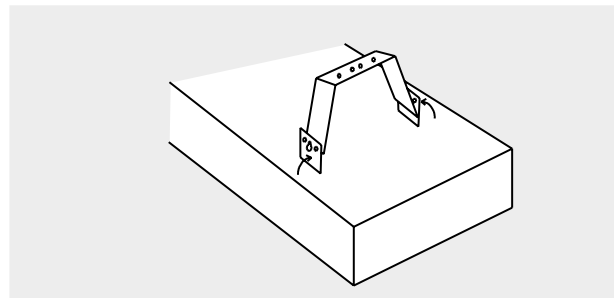


Fig. 1: Positioning vertically.



Standard fitting



Heating with EZ200 is hygienic since it does not cause any air movements.



EZ200 gives instant heat and no preheating is necessary which makes it ideal for buildings that are used on an irregular basis.

Control options

The heater must be supplemented with one of the following control options. TAP16R has adaptive start, week program and open window detection. Protection class IP44 is obtained by adding a protective enclosure TEP44 and an external temperature sensor RTX54 which replaces the internal sensor. Please note that a relaybox RB3 is required for 400V~ products.

Control by thermostat

- TAP16R, electronic thermostat
- RB3, relaybox 400V3N~(EZ200 400V~)

Control by thermostat and black bulb sensor

- TAP16R, electronic thermostat
- SKG30, black bulb sensor
- RB3, relaybox 400V3N~(EZ200 400V~)

Control by thermostat and presence detector

- TAP16R, electronic thermostat
- PDK65, presence detector with power supply
- RB3, relaybox 400V3N~(EZ200 400V~)

The product can be controlled in a different way, e.g. by an overall control system (BMS) as long as the requirements of Ecodesign Regulation are met.

Controls and accessories



| Type | Description | HxWxD [mm] |
|---------------|---|-----------------------|
| TAP16R | Electronic thermostat, 16A, IP21 | 87x87x53 |
| TEP44 | Protective enclosure for TAP16R, IP44 | 87x87x55 |
| RTX54 | External room temperature sensor, NTC10KΩ, IP54 | 82x88x25 |
| SKG30 | Black bulb sensor, NTC10KΩ, IP30 | 115x85x40 |
| PDK65 | Presence detector with power supply (up to 5 detectors), 230V~, max 2,3 kW, IP42/IP65 | 102x70x50 88x88x39 |
| PDK65S | Additional presence detector to PDK65, IP42 | 102x70x50 |
| RB3 | Relaybox 400V3N~ (400V3~/V2~, 230V3~), 16A, IP44 | 155x87x43 |

Controls for installations not covered by the Ecodesign Regulation (EU) 2015/1188

When the heater is used for technical heating purposes, and not as a local space heater, the following controls can be used.

| Type | Description | HxWxD [mm] |
|----------------|---|------------|
| KRT1900 | Capillary tube thermostat, IP55 | 165x57x60 |
| KRTV19 | Capillary tube thermostat with knob, IP44 | 165x57x60 |

