



## Fan heater SWS

### Basic fan heater for water connection

Fan heater SWS is intended for water-heating or cooling. SWS is suitable for places where fan heaters are traditionally used, such as industrial premises, workshops and storage rooms. The fan heater is mounted on the wall. By turning the unit the water connections will be positioned on the left or right side.

- Mounted on the wall. Mounting brackets are extra.
- Intended for water temperatures up to +150 °C and 10 bar in standard design.
- Casing of grey alu-zinc coated steel panels, very resistant against corrosion. Louvres in anodised aluminium.

### Fan heater SWS (IP44)

Type	Heat output*1 [kW]	Airflow [m³/h]	Air flow [m³/s]	Sound level*2 [dB(A)]	Δt*1,3 [°C]	Air throw*4 [m]	Water volume*5 [l]	Voltage [V]	Amperage [A]	Weight [kg]
SWS02*6	7/12	520/1260	0,14/0,35	27/50	37/28	5.5	1.3	230V~	0.32	14
SWS12*6	8/19	620/2340	0,17/0,65	25/57	35/23	8	1.5	230V~	0.67	18
SWS22	11/30	860/3560	0,24/0,99	33/58	38/25	10	2.7	230V~	0.90	26
SWS32	19/50	1540/6300	0,43/1,75	39/64	36/23	15	3.8	230V~	2.42	45
SWS33	24/65	1550/6090	0,43/1,69	39/64	44/31	13	5.2	230V~	2.48	45
SWS323	40/48	4400/5890	1,22/1,64	56/62	26/24	12.5	3.8	400V3~	0.82	45
SWS333	52/62	4300/5660	1,19/1,57	56/62	35/32	11	5.2	400V3~	0.83	45

\*1) Applicable at water temperature 80/60 °C, air temperature, in +15 °C. At lowest/highest airflow.

\*2) Conditions: Distance to the unit 5 metres. Directional factor: 2. Equivalent absorption area: 200 m². At lowest/highest airflow.

\*3) Δt = temperature rise of passing air at maximum heat output and lowest/highest airflow.

\*4) The air throw data above is valid when the horizontally adjustable air director is used and the outlet temperature is +40 °C and the room temperature is +18 °C.

The air throw is defined as the distance in a straight angle from the fan heater to the point where the air speed has dropped to 0,2 m/s.

\*5) Water volume inside water coil.

\*6) Approved for 220V/1ph/60Hz. Product performance for 220V/1ph/60Hz will differ from stated data.

### Dimensions

	A [mm]	B [mm]	C [mm]	D [mm]	Ø [mm]	E [mm]	F [mm]
SWS02	470	520	210	50	22	195	395
SWS12	545	540	215	60	22	195	460
SWS22	675	690	215	60	28	250	570
SWS32(3)	800	830	315	35	28	335	700
SWS33(3)							

## Control options

### SWS 230V~

Control by thermostat only

- KRT1900 or TKS16, room thermostat
- TVVS20/25, 2-way valve or TRVS20/25 3-way valve + SD20, actuator

5-step control of airflow only

- RE1,5, 5-step regulator max 1,5A, or RE3, 5-step regulator max 3A, or RE7, 5-step regulator max 7A

Thermostat and 5-step control

- RE1,5, 5-step regulator max 1,5A, or RE3, 5-step regulator max 3A, or RE7, 5-step regulator max 7A
- KRT1900 or TKS16, room thermostat
- TVVS20/25, 2-way valve or TRVS20/25 3-way valve + SD20, actuator

### SWS 400V3~

2-step control of airflow only

- SWYD1, 2-step change-over switch for air flow (Y/D)
- STDT16, thermal contact motor protection

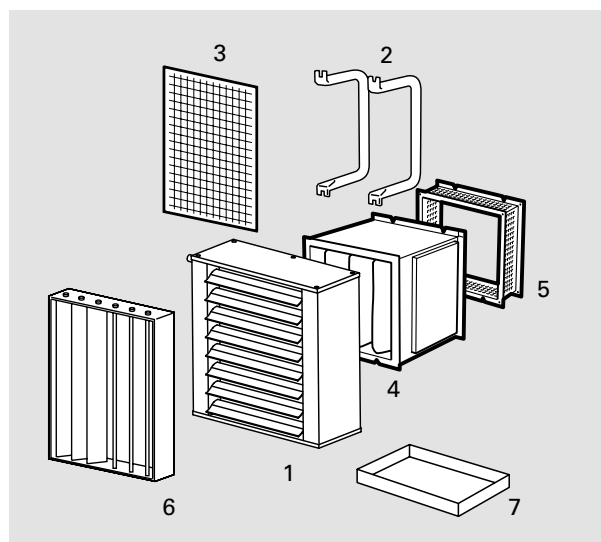
Thermostat and 2-step control

- KRT1900 or TKS16, room thermostat
- SWYD1, 2-step change-over switch for air flow (Y/D)
- STDT16, thermal contact motor protection
- TVVS20/25, 2-way valve or TRVS20/25 3-way valve + SD20, actuator

Type	Description
<b>TKS16</b>	Electronic thermostat, knob, 1-pole switch
<b>KRT1900</b>	Capillary tube thermostat
<b>RE1,5</b>	5-step change-over switch for air flow, max. 1,5A
<b>RE3</b>	5-step change-over switch for air flow, max. 3A
<b>RE7</b>	5-step change-over switch for air flow, max. 7A
<b>SWYD1</b>	2-step change-over switch for air flow (Y/D)
<b>STDT16</b>	Thermal contact motor protection (400V3~)
<b>TVVS20</b>	2-way control valve DN20
<b>TVVS25</b>	2-way control valve DN25
<b>TRVS20</b>	3-way control valve DN20
<b>TRVS25</b>	3-way control valve DN25
<b>SD20</b>	Actuator on/off

## Accessories

Type	Description
<b>SWB0</b>	Mounting brackets SWS02
<b>SWB1</b>	Mounting brackets SWS12
<b>SWB2</b>	Mounting brackets SWS22
<b>SWB3</b>	Mounting brackets SWS32/SWS33
<b>SWF1</b>	Filter section SWS12
<b>SWF2</b>	Filter section SWS22
<b>SWF3</b>	Filter section SWS32/SWS33
<b>SWD1</b>	Return air intake SWS12
<b>SWD2</b>	Return air intake SWS22
<b>SWD3</b>	Return air intake SWS32/SWS33
<b>SWEF1</b>	Extra filter cassette EU3 SWS12
<b>SWEF2</b>	Extra filter cassette EU3 SWS22
<b>SWEF3</b>	Extra filter cassette EU3 SWS32/SWS33
<b>SWSFT02</b>	Basic filter SWS02
<b>SWSFT1</b>	Basic filter SWS12
<b>SWSFT2</b>	Basic filter SWS22
<b>SWSFT3</b>	Basic filter SWS32/SWS33
<b>SWLR1</b>	Extra air director SWS12
<b>SWLR2</b>	Extra air director SWS22
<b>SWLR3</b>	Extra air director SWS32/SWS33
<b>SWST02</b>	Drip tray SWS02
<b>SWST1</b>	Drip tray SWS12
<b>SWST2</b>	Drip tray SWS22
<b>SWST3</b>	Drip tray SWS32/SWS33



- 1) Fan heater SWS
- 2) Mounting brackets SWB
- 3) Basic filter SWSFT
- 4) Filter section SWF
- 5) Return air intake SWD
- 6) Extra air director SWLR
- 7) Drip tray SWST