



Carbon infrared heater IHC

For soft and effective heat

Carbon infrared heater IHC produces a gentle and direct heat which together with the soft glow, is ideal for indoors and conservatories as well as for outdoor restaurants where design is important. IHC can also be used as local heating. IHC has a heat distribution best suited for close and slightly higher installations.

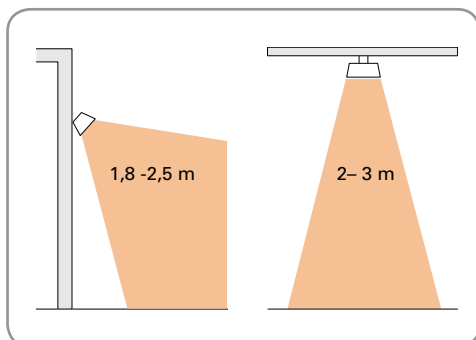
IHC is easy to position thanks to its compact design. The discreet and appealing look makes it suitable for outdoor environments with design demands.

- IHC consists of a carbon lamp, yellow-orange glow, with high intensity and a highly-polished reflector for optimum heat distribution.
- Bracket for wall mounting. Can also be suspended from the ceiling or mounted on a post. Other mounting alternatives are available as accessories.
- Equipped with a 0.9 metre cord with plug for connection to an earthed outlet socket.
- Casing in anodised aluminium, grille in Nickel/Chrome plating, end caps in powder-coated light-alloy metal. Colour: RAL 9006.

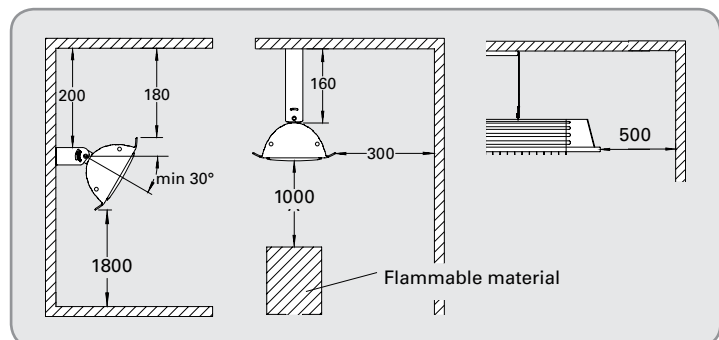
Carbon infrared heater IHC (IP44)

Type	Heat output [W]	Voltage [V]	Amperage [A]	Max. filament temperature [°C]	Dimensions LxHxW [mm]	Weight [kg]
IHC12	1150	230V~	5,0	1200	500x77x169	1,9
IHC18	1750	230V~	7,6	1200	676x77x169	2,5

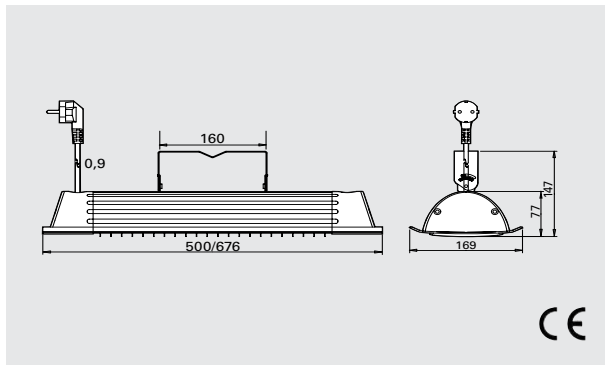
Installation height



Minimum distances



Dimensions



Mounting

IHC installed horizontally on walls with supplied bracket. The heater can be angled up to 45°. The heater can also be mounted on e.g. a parasol or a post, a suitable U-bolt (not included) is used for this together with the supplied console. For ceiling installation use ceiling bracket IHE (accessory). For other mounting alternatives, see accessories.

Connection

IHC is equipped with a 0.9 metre cord with plug for connection to an earthed outlet socket.

Accessories

IHUB, universal bracket

A bracket that makes it easy to even angle IH/IHC sideways. The bracket also allows mounting on, for example, a windbreak when the clamping screw is used.

IHE, ceiling bracket

Used to secure the IH/IHC in the ceiling.

IHXH, drooping extension bracket for high level mounting

Used to install IH/IHC at high level, such as above a window. Wall bracket included.

IHXL, arching extension bracket for low level mounting

Used to install IH/IHC at low level, such as on a windbreak. Wall bracket included.

IHT, triple bracket

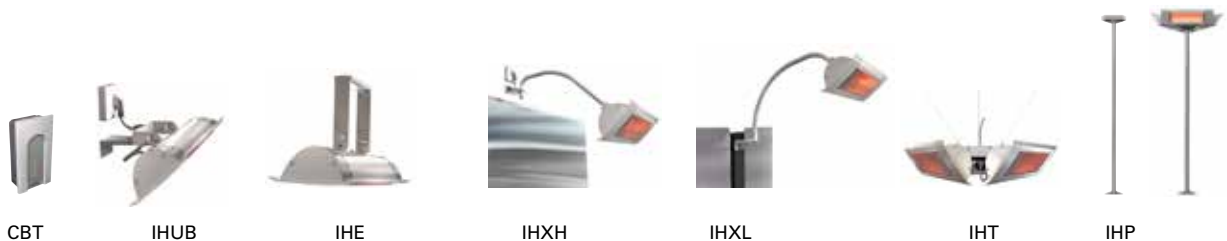
Three IH/IHC units can be mounted on the IHT bracket to provide heat in all directions. Can be suspended from the ceiling by three wires or mounted on an IHP post. Used for IH10, IH15 and IHC12.

IHTW, wire kit

Set of three bright galvanized wires for easy hanging of IHT.

IHP, post for freestanding installation

Post to stand IH/IHC on the floor. IHP has a fixed length of 2.3 m and can be cut to desired length. The IHT triple bracket can be attached to provide heat in all directions. IH/IHC can also be mounted directly on the post using a standard bracket and a U-bolt.



Type	Description	HxWxD [mm]
CBT	Electronic timer, IP44	155x87x43
IHUB	Universal bracket for IH	
IHE	Ceiling bracket	
IHXH	Extension bracket for high level mounting	
IHXL	Extension bracket for low level mounting	
IHT	Triple bracket	
IHTW	Wire kit (3 wires) for IHT	
IHP	Post for freestanding installation	H: 2,3 m

For further information and options, see the "Controls" section.