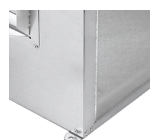




CJBD-2828-4M 3/4

Code: 1009287



Magnelis sheet steel ventilation units with maximum corrosion resistance according to ISO 12944

Fan:

- CBD series double inlet fans.
- Category C5 anti-corrosive Magnelis sheet steel structure with thermal and acoustic insulation.
- Forward curved impeller in galvanised sheet steel.
- Glands for cable entry.

Motor:

- Enclosed motors with built-in thermal protector, class F, with ball bearings, IP54 protection.
- Single-phase 220-240 V 50 Hz and three-phase 220-240/380-415 V 50 Hz.
- Working temperature: -25 °C +60 °C.

Finish:

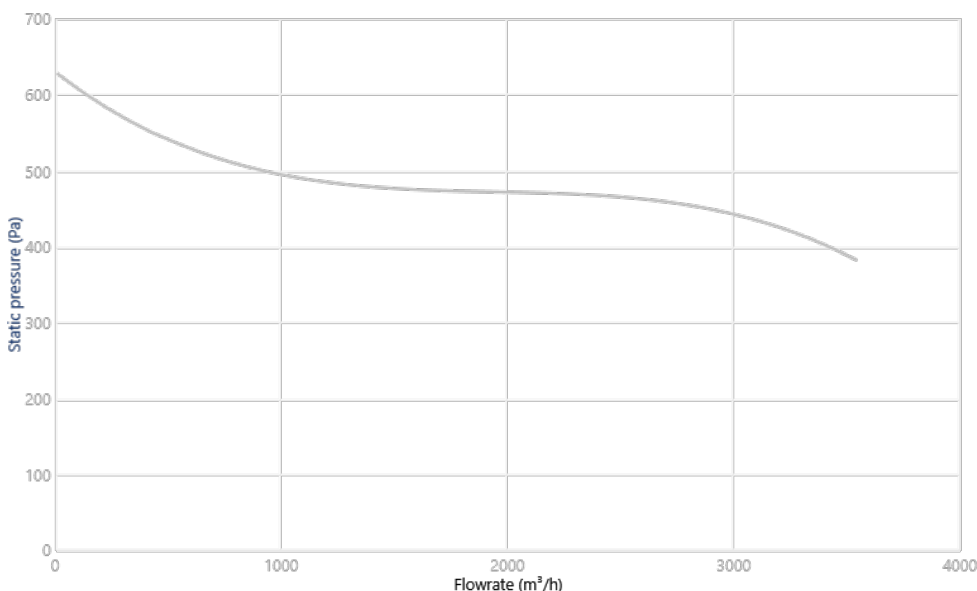
- Magnelis steel sheet.

On request:

- With circular outlet.



CHARACTERISTIC CURVE AND ACOUSTICS AT 1.2KG/M³



Design Point

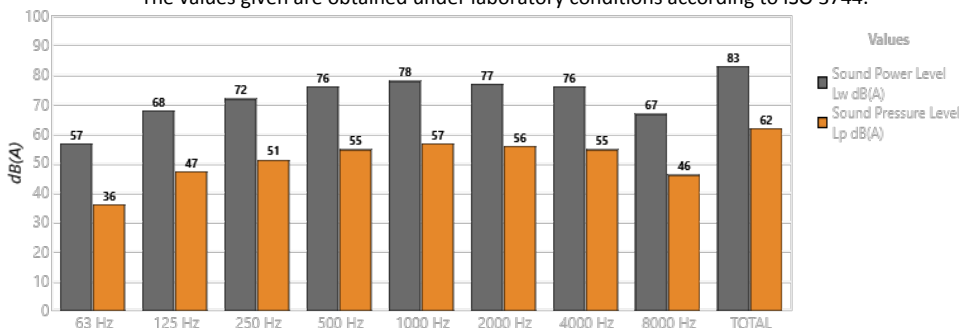
Q (m³/h)	
Ps (Pa)	

Service Point (SP)

Q (m³/h)	-
Ps (Pa)	-
Pd (Pa)	-
Pt (Pa)	-

Acoustics: Radiated, 3 (m), Free field

The values given are obtained under laboratory conditions according to ISO 3744.



Band	Lw dB(A)	Lp dB(A)
63 Hz	57	36
125 Hz	68	47
250 Hz	72	51
500 Hz	76	55
1000 Hz	78	57
2000 Hz	77	56
4000 Hz	76	55
8000 Hz	67	46
TOTAL	83	62

TECHNICAL CHARACTERISTICS

Airflow maximum (m³/h)	3544
Speed (rpm)	1310
Maximum static pressure (Pa)	627.7
Maximum total pressure (Pa)	627.7





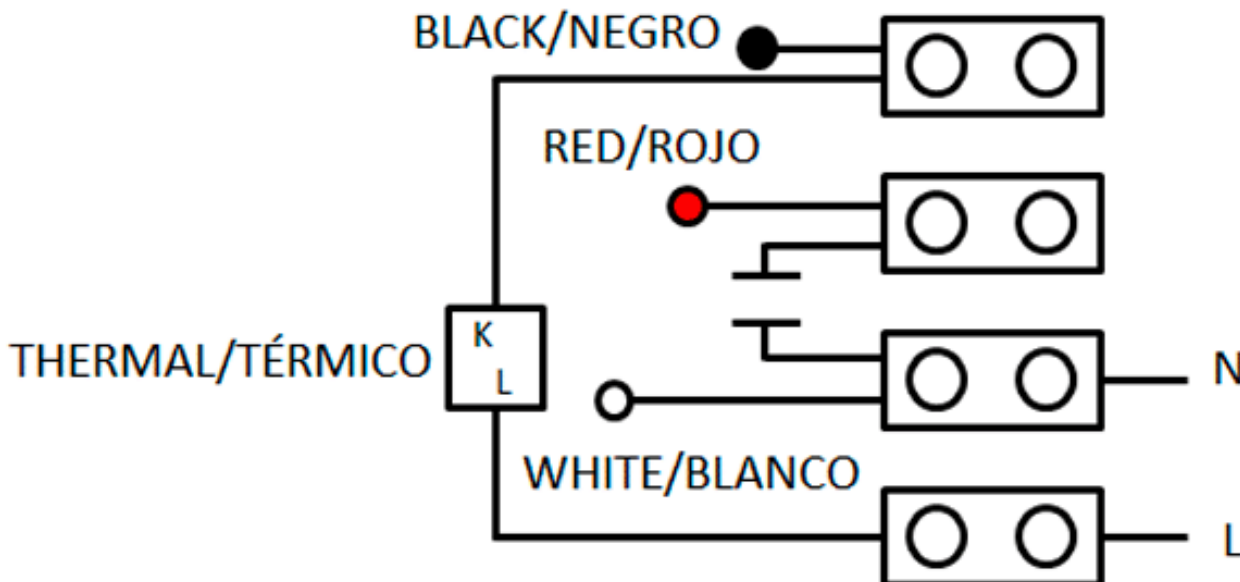
ERP

Brand	SODECA, S.L.U.	Static efficiency of fan according to EU 327/2011 (%)	40.9%
Model	CJBD-2828-4M 3/4	Max. internal leakage rate (%)	2.3%
Typology	NRVU / UVU	Filter energy performance	Not applicable
Drive type	Variable speed	Visual filter warning	Not applicable
HRS type	None	Sound power level (LWA) (dBA)	81
Nominal flow rate (m³/s)	0.918	Website	www.sodeca.com
Effective electric power input (kW)	0.789	ErP compliance	2018
SFPint (W/m³/s)	230.00		
Face velocity at design flow rate (m/s)	9.66		
Nominal external pressure (Pa)	348		

MOTOR DATA

Rated Mechanical Power (kW)	0.55	Poles	4P
Hz/phases	50/1	Max. current (A) 220-240 V	4.5
Motor (rpm)	1310	Motor frame size	80

Data can change, please check motor plate



DIMENSIONS

A	B	C	D	E	F	G	L	K
550	575	600	479	504	104	177	294	330

Dimensions without explicitly defined units are shown in millimeters (mm). Dimensions depending on the motor are approximate

Approx. weight (kg)	34
---------------------	----

