

CMT



Medium pressure, single inlet, centrifugal fans with sheet steel casing and straight blade impeller for carrying dust and solid material.



Fan:

- Sheet steel casing.
- Straight blade impeller made of sheet steel.

Motor:

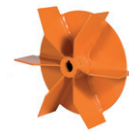
- IE3 efficiency motors for powers equal to or greater than 0.75 kW except single-phase, 2-speed and 8-pole.
- Class F motors with ball bearings and IP55 protection.
- Three-phase 230/400 V - 50 Hz (up to 4 kW) and 400/690 V - 50 Hz (powers higher than 4 kW).
- Maximum temperature of air to be carried: -20 °C +120 °C.

Finish:

- Anti-corrosive finish of polyester resin polymerised at 190 °C, previously degreased with phosphate-free nanotechnological treatment.

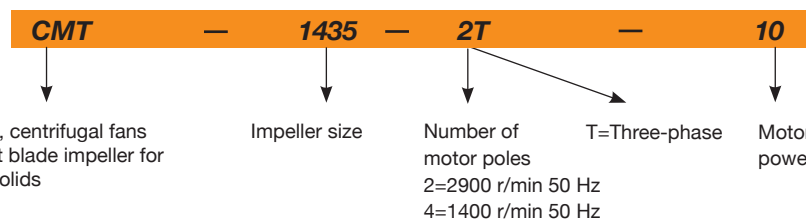
On request:

- Special windings for different voltages.
- Fan prepared for air transmission of up to 250 °C.
- ATEX-certified Category 2.



Extremely robust radial impeller

Order code



Technical characteristics

Model	Speed (r/min)	Maximum admissible current (A)			Installed power (kW)	Maximum flow rate (m ³ /h)	Sound pressure level dB(A)	Approx. weight (kg)
		230 V	400 V	690 V				
CMT-922-2T IE3	2830	4.03	2.34		1.10	2180	71	23
CMT-922-4T	1380	2.92	1.69		0.55	1080	66	20
CMT-1025-2T IE3	2875	5.34	3.07		1.50	2850	74	35
CMT-1025-4T	1380	2.92	1.69		0.55	1390	70	27
CMT-1128-2T IE3	2910	7.32	4.21		2.20	4500	76	42
CMT-1128-4T	1380	2.92	1.69		0.55	2250	72	30
CMT-1231-2T-4 IE3	2910	10.00	5.77		3.00	5220	78	57
CMT-1231-2T-5.5 IE3	2900	13.00	7.50		4.00	6300	79	79
CMT-1231-4T IE3	1455	4.07	2.34		1.10	3000	73	47
CMT-1435-2T-7.5 IE3	2930		10.10	5.86	5.50	7800	85	109
CMT-1435-2T-10 IE3	2930		14.10	8.17	7.50	8260	87	91
CMT-1435-4T IE3	1435	7.93	4.56		2.20	4175	76	63
CMT-1640-2T-7.5 IE3	2930		10.10	5.86	5.50	5600	88	119
CMT-1640-2T-10 IE3	2930		14.10	8.17	7.50	9600	90	101
CMT-1640-4T IE3	1435	7.93	4.56		2.20	4800	77	79
CMT-1845-2T-10 IE3	2930		14.10	8.17	7.50	5000	89	151
CMT-1845-2T-15 IE3	2945		20.00	11.60	11.00	10500	91	215
CMT-1845-2T-20 IE3	2945		27.70	16.10	15.00	13000	94	218
CMT-1845-4T IE3	1450	13.90	8.00		4.00	8200	80	146
CMT-2050-2T-25 IE3	2945		33.90	19.70	18.50	8500	98	242
CMT-2050-2T-30 IE3	2950		39.70	23.00	22.00	13600	99	275
CMT-2050-4T IE3	1465		10.30	5.97	5.50	11300	85	183

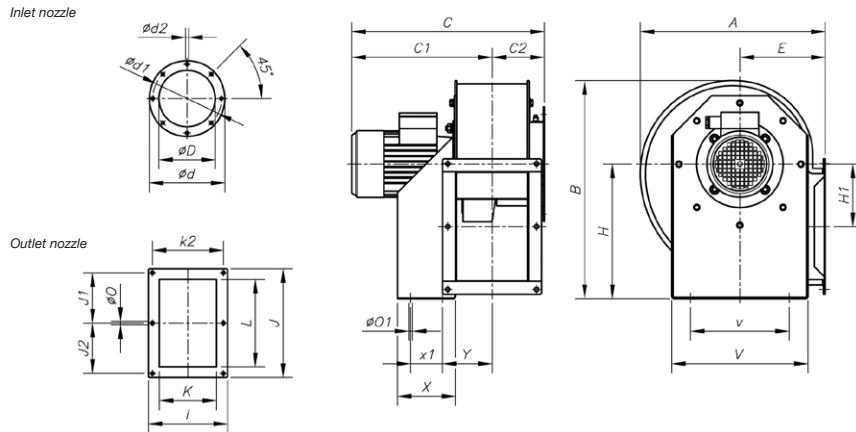
Acoustic characteristics

Sound power spectrum Lw(A) in dB(A) per Hz frequency band

	63	125	250	500	1000	2000	4000	8000		63	125	250	500	1000	2000	4000	8000
922-2	45	61	76	76	77	74	72	63	1435-4	53	68	84	83	85	81	79	71
922-4	40	56	71	71	72	69	67	58	1640-2-7.5	65	80	96	95	97	93	91	83
1025-2	48	64	79	79	80	77	75	66	1640-2-10	67	82	98	97	99	95	93	85
1025-4	44	60	75	75	76	73	71	62	1640-4	54	69	85	84	86	82	80	72
1128-2	50	66	81	81	82	79	77	68	1845-2-10	68	83	98	98	99	96	94	85
1128-4	46	62	77	77	78	75	73	64	1845-2-15	70	85	100	100	101	98	96	87
1231-2-4	55	70	86	85	87	83	81	73	1845-2-20	73	88	103	103	104	101	99	90
1231-2-5.5	56	71	87	86	88	84	82	74	1845-4	59	74	89	89	90	87	85	76
1231-4	50	65	81	80	82	78	76	68	2050-2-25	77	92	107	107	108	105	103	94
1435-2-7.5	62	77	93	92	94	90	88	80	2050-2-30	78	93	108	108	109	106	104	95
1435-2-10	64	79	95	94	96	92	90	82	2050-4	64	79	94	94	95	92	90	81

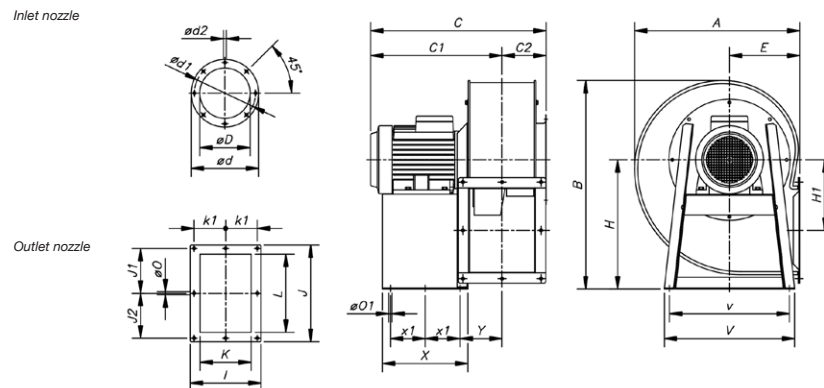
Dimensions mm

CMT-922...1231



	A	B	C	C1	C2	ϕD	ϕd	$\phi d1$	$\phi d2$	E	H	H1	I	J	J1	K	k2	L	ϕO	$\phi O1$	V	v	X	x1	Y
CMT-922	388.5	455	416	309	107	170	244	210	9.5	180	280	134	204	282.5	128	140	180	215	9.5	10.5	290	220	114	50	105
CMT-1025-2T	427	503	490	369.5	120.5	190	264	230	9.5	197	310	144	229	312.5	145	165	205	250	9.5	12.5	315	228	134	74	115.5
CMT-1025-4T	427	503	445	325	120	190	264	230	9.5	197	310	144	229	312.5	145	165	205	250	9.5	12.5	315	228	134	74	115.5
CMT-1128-2T	472	553	505	377	128	210	284	249	9.5	216	340	152	244	364	170	180	220	296.5	9.5	12.5	348	245	144	95	122.5
CMT-1128-4T	472	553	460	332	128	210	284	249	9.5	216	340	152	244	364	170	180	220	296.5	9.5	12.5	348	245	144	95	122.5
CMT-1231-2T-4	526	630	555	417	138	240	305	275	9.5	238	390	179.5	264	382.5	180	200	240	320	11.5	13	382	322	183	140	125
CMT-1231-2T-5.5	526	630	578	440	138	240	305	275	9.5	238	390	179.5	264	382.5	180	200	240	320	11.5	13	382	322	183	140	125
CMT-1231-4T	526	630	528	390	138	240	305	275	9.5	238	390	179.5	264	382.5	180	200	240	320	11.5	13	382	322	183	140	125

CMT-1435...2050

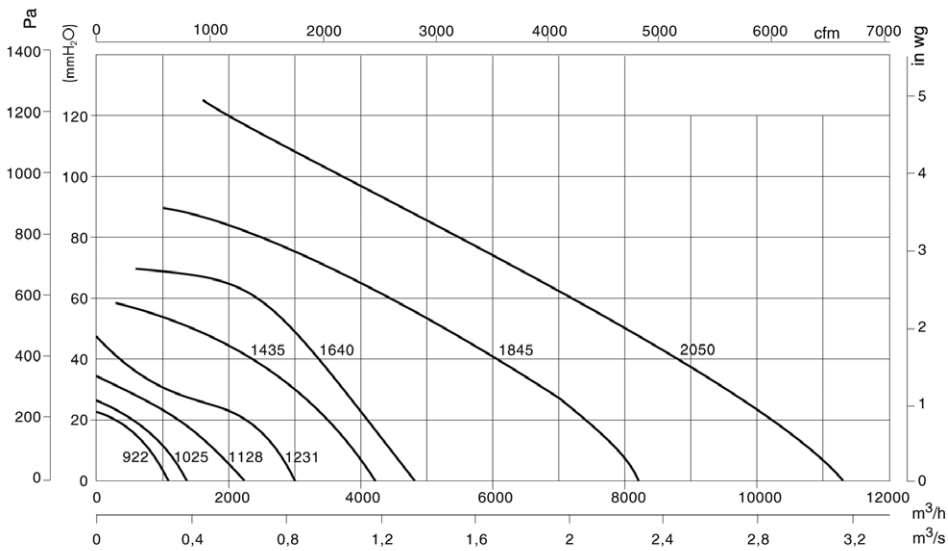
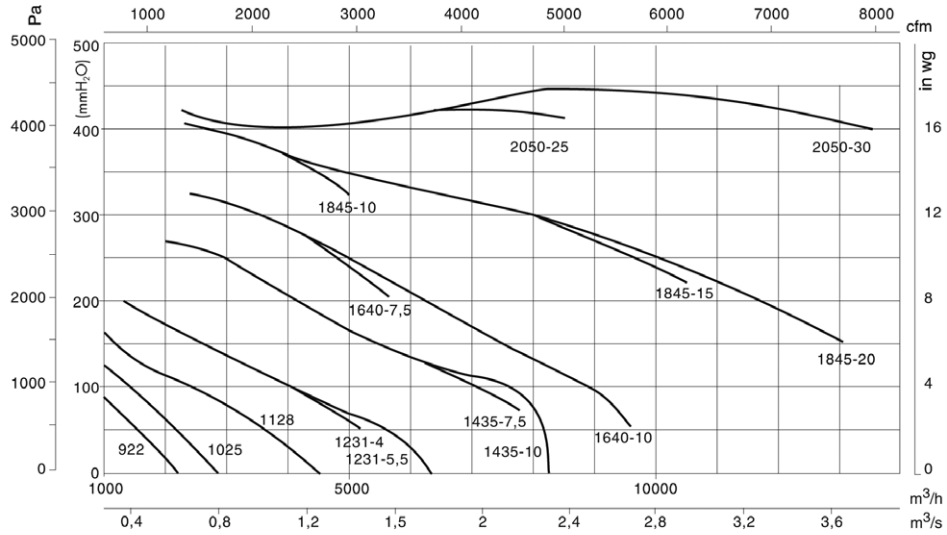


	A	B	C	C1	C2	ϕD	ϕd	$\phi d1$	$\phi d2$	E	H	H1	I	J	J1	K	k1	L	ϕO	$\phi O1$	V	v	X	x1	Y
CMT-1435-2T	573.5	715	661	504	157	276	344	310	9.5	250	445	242.5	292	342.5	159	228	133	280	11.5	12	456	420	333	136.5	149
CMT-1435-4T	573.5	715	588	431	157	276	344	310	9.5	250	445	242.5	292	342.5	159	228	133	280	11.5	12	456	420	333	136.5	149
CMT-1640-2T	634	799	673	504	169	276	344	310	9.5	270	495	271	336w	404	185	250	150	321	11.5	12	500	460	327	133.5	161
CMT-1640-4T	634	799	612	443	169	276	344	310	9.5	270	495	271	336	404	185	250	150	321	11.5	12	500	460	327	133.5	161
CMT-1845-2T-10	711	901	712	521	191	350	434	395	9.5	302	560	305	370	444	202	284	164	361	11.5	12	538	502	340	140	178
CMT-1845-2T-15	711	901	817	626	191	350	434	395	9.5	302	560	305	370	444	202	284	164	361	11.5	12	538	502	420	180	178
CMT-1845-2T-20	711	901	817	626	191	350	434	395	9.5	302	560	305	370	444	202	284	164	361	11.5	12	538	502	420	180	178
CMT-1845-4T	711	901	674	483	191	350	434	395	9.5	302	560	305	370	444	202	284	164	361	11.5	12	538	502	340	140	178
CMT-2050-2T-25	797	987	901	688.5	212.5	375	480	450	11	345	610	313	411	544	250	315	182.5	451	11.5	12	653	615	435	188	194
CMT-2050-2T-30	797	987	953	740.5	212.5	375	480	450	11	345	610	313	411	544	250	315	182.5	451	11.5	12	653	615	435	188	194.5
CMT-2050-4T	797	987	750	537.5	212.5	375	480	450	11	345	610	313	411	544	250	315	182.5	451	11.5	12	653	615	435	188	194.5

Characteristic curves

Q= Flow rate in m³/h, m³/s and cfm

Pe= Static pressure in mm H₂O, Pa and inwg



Orientation

Standard supply LG 270

Positions LG 180 and RD 180 on request with special anchoring measurements.



Accessories

See accessories section.

