



CBD-2525-6M 1/5/HE

Code: 1009161



Double inlet centrifugal fans with direct drive motors and forward curved impeller

Fan:

- Galvanised steel sheet casing.
- Forward curved impeller in galvanised sheet steel.
- Supplied with PSB support feet.

Motor:

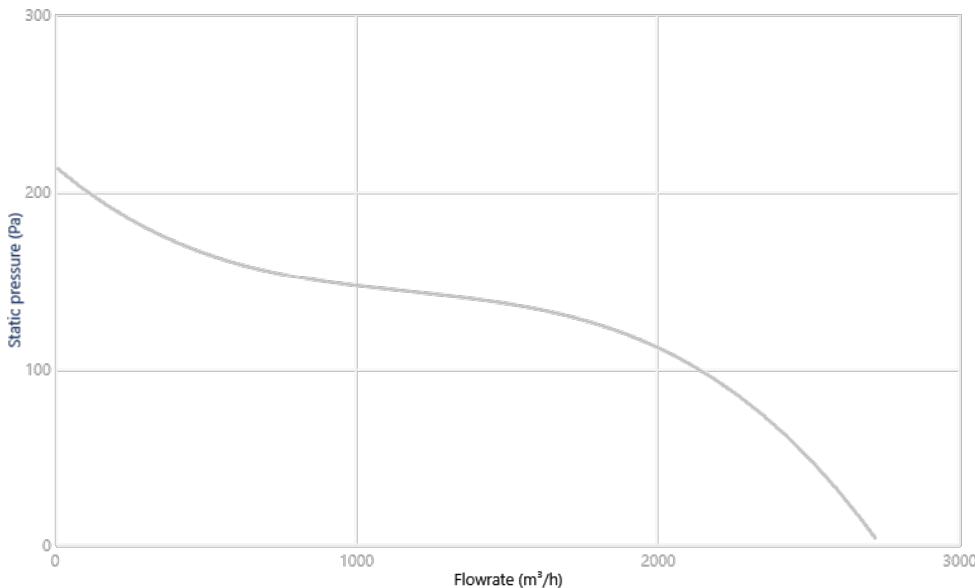
- High efficiency (HE) motors in compliance with ErP 2015.
- Enclosed motors with built-in thermal protector, class F, with ball bearings, IP54 protection.
- Single-phase 220-240 V 50 Hz and three-phase 220-240/380-415 V 50 Hz.
- Working temperature: -25 °C +60 °C.

Finish:

- Galvanised steel sheet.



CHARACTERISTIC CURVE AND ACOUSTICS AT 1.2KG/M³



Design Point

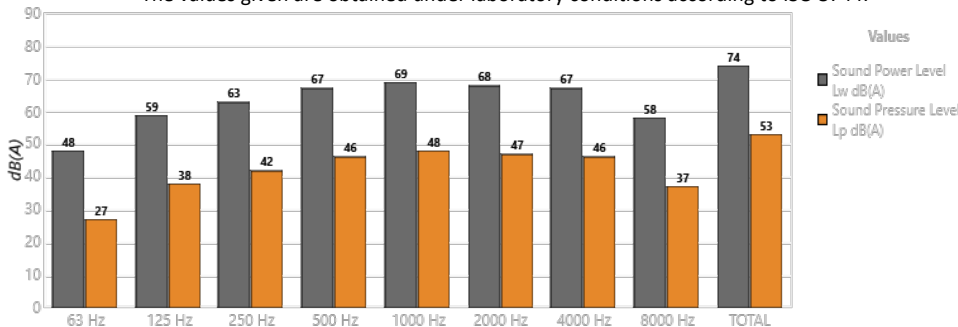
Q (m³/h)	
Ps (Pa)	

Service Point (SP)

Q (m³/h)	-
Ps (Pa)	-
Pd (Pa)	-
Pt (Pa)	-

Acoustics: Radiated, 3 (m), Free field

The values given are obtained under laboratory conditions according to ISO 3744.



Band	Lw dB(A)	Lp dB(A)
63 Hz	48	27
125 Hz	59	38
250 Hz	63	42
500 Hz	67	46
1000 Hz	69	48
2000 Hz	68	47
4000 Hz	67	46
8000 Hz	58	37
TOTAL	74	53

TECHNICAL CHARACTERISTICS

Airflow maximum (m³/h)	2720
Speed (rpm)	850
Maximum static pressure (Pa)	213.4
Maximum total pressure (Pa)	213.4



ERP

Efficiency	33.2%
Efficiency grade N	44.1
Measurement category	A
Efficiency category	Static
Specific ratio	1.00
Flowrate (m ³ /h)	1815

Pressure (Pa)	123
Input power (kW)	0.188
Speed (rpm)	907
Variable speed drive	VSD not necessary
ErP compliance	2015

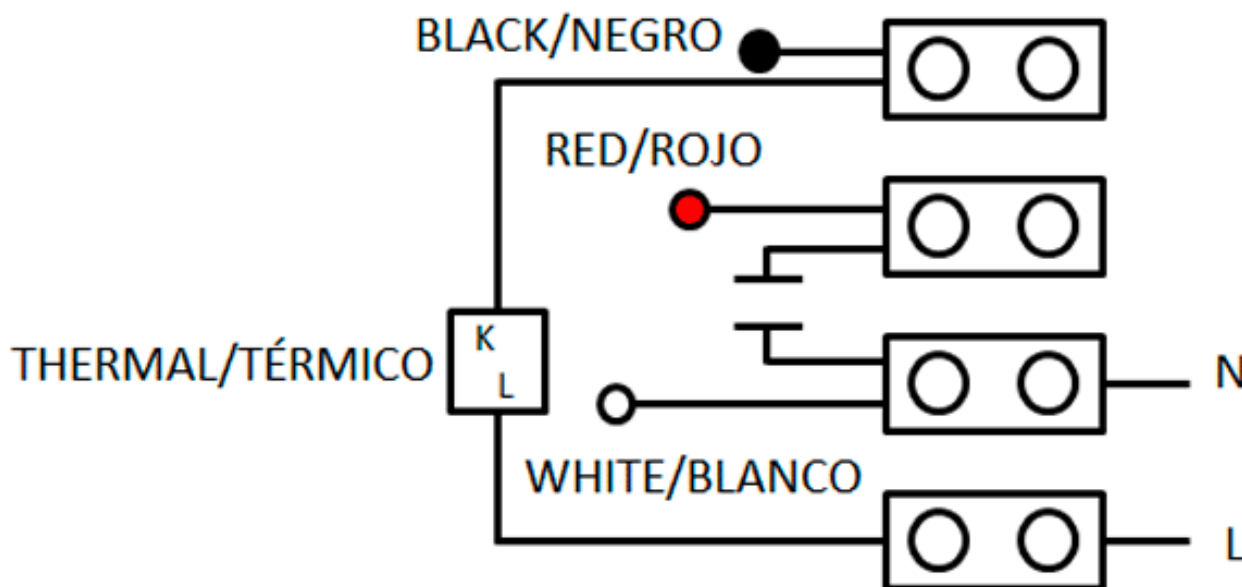
♦ Data established at point of optimum efficiency

MOTOR DATA

Rated Mechanical Power (kW)	0.15
Hz/phases	50/1
Motor (rpm)	850

Poles	6P
Max. current (A) 220-240 V	1.5
Motor frame size	80

Data can change, please check motor plate



DIMENSIONS

A	B1	B2	E	E1	H	K	L	UxS	V	X	Z1	Z
380	400	218	183	78	182	300	263	9x16	275	328	57	357

Dimensions without explicitly defined units are shown in millimeters (mm). Dimensions depending on the motor are approximate

Approx. weight (kg)	11.5
---------------------	------

