



CBD-3333-6M 1/HE

Code: 1009172



Double inlet centrifugal fans with direct drive motors and forward curved impeller

Fan:

- Galvanised steel sheet casing.
- Forward curved impeller in galvanised sheet steel.
- Supplied with PSB support feet.

Motor:

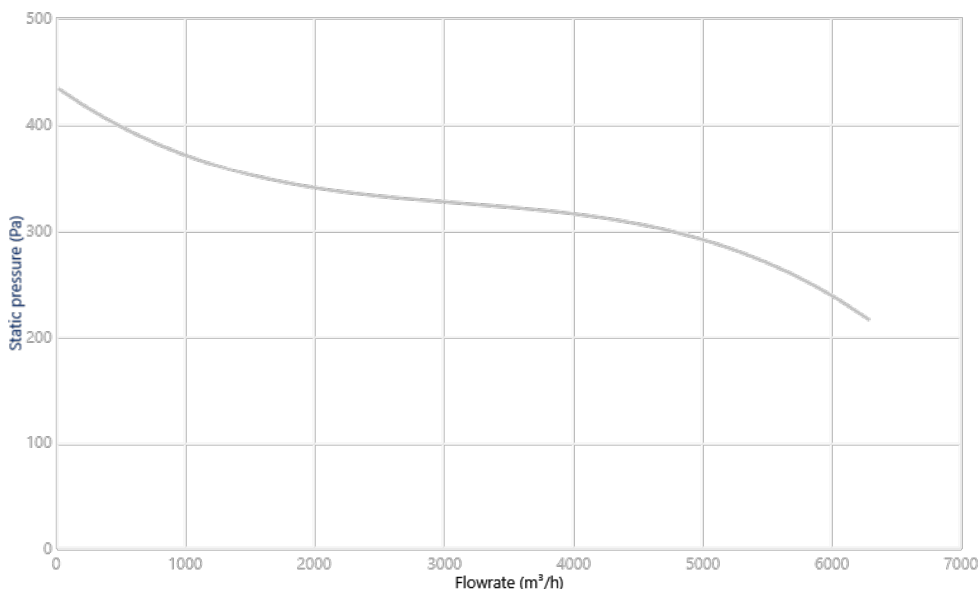
- High efficiency (HE) motors in compliance with ErP 2015.
- Enclosed motors with built-in thermal protector, class F, with ball bearings, IP54 protection.
- Single-phase 220-240 V 50 Hz and three-phase 220-240/380-415 V 50 Hz.
- Working temperature: -25 °C +60 °C.

Finish:

- Galvanised steel sheet.



CHARACTERISTIC CURVE AND ACOUSTICS AT 1.2KG/M³



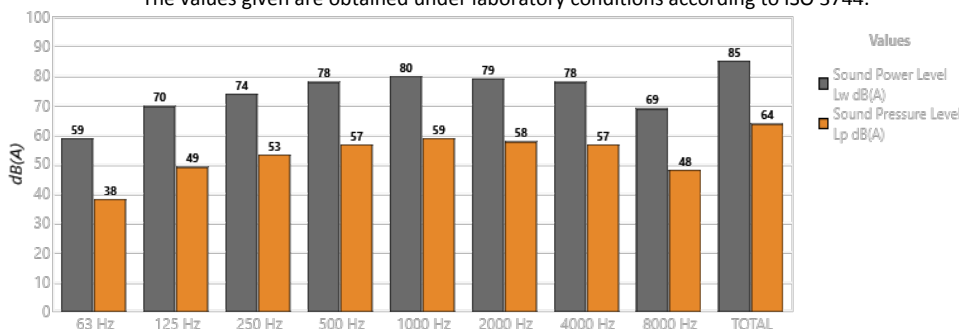
Design Point

Q (m³/h)	
Ps (Pa)	

Service Point (SP)

Q (m³/h)	-
Ps (Pa)	-
Pd (Pa)	-
Pt (Pa)	-

Acoustics: Radiated, 3 (m), Free field
The values given are obtained under laboratory conditions according to ISO 3744.



Band	Lw dB(A)	Lp dB(A)
63 Hz	59	38
125 Hz	70	49
250 Hz	74	53
500 Hz	78	57
1000 Hz	80	59
2000 Hz	79	58
4000 Hz	78	57
8000 Hz	69	48
TOTAL	85	64

TECHNICAL CHARACTERISTICS

Airflow maximum (m³/h)	6290
Speed (rpm)	850
Maximum static pressure (Pa)	433.1
Maximum total pressure (Pa)	433.1





ERP

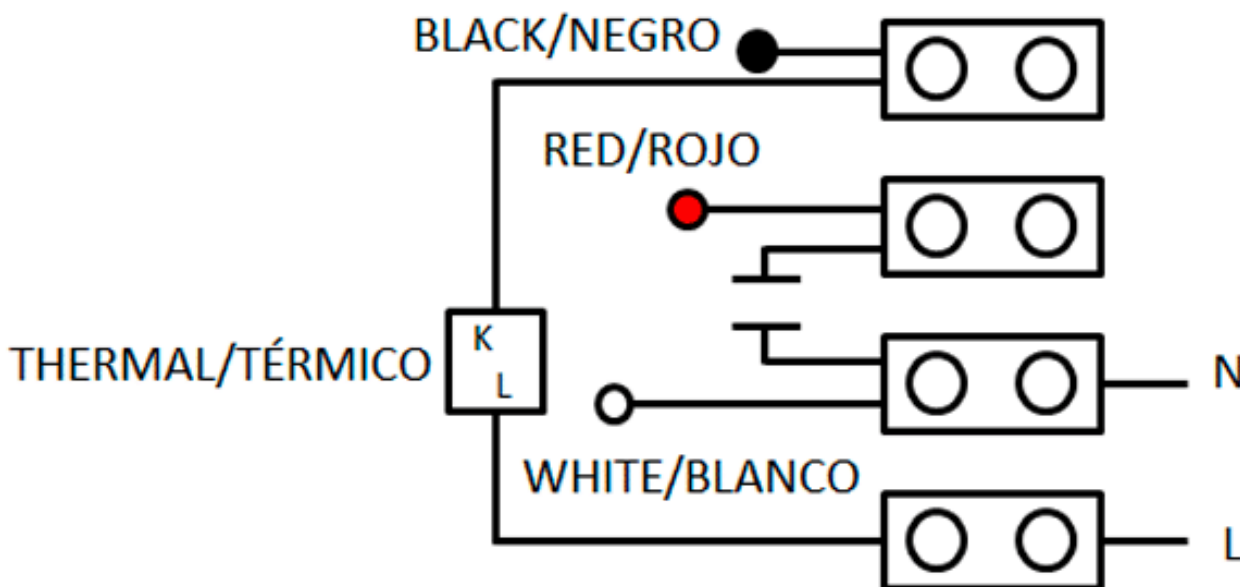
Efficiency	38.3%	Pressure (Pa)	311
Efficiency grade N	44.8	Input power (kW)	0.948
Measurement category	A	Speed (rpm)	852
Efficiency category	Static	Variable speed drive	VSD not necessary
Specific ratio	1.00	ErP compliance	2015
Flowrate (m ³ /h)	4198		

♦ Data established at point of optimum efficiency

MOTOR DATA

Rated Mechanical Power (kW)	0.75	Poles	6P
Hz/phases	50/1	Max. current (A) 220-240 V	6
Motor (rpm)	850	Motor frame size	90

Data can change, please check motor plate



DIMENSIONS

A	B1	B2	E	E1	H	K	L	UxS	V	X	Z1	Z
493	526	290	230	82	236	387	345	9x16	390	415	70	457

Dimensions without explicitly defined units are shown in millimeters (mm). Dimensions depending on the motor are approximate

Approx. weight (kg)	24
---------------------	----

