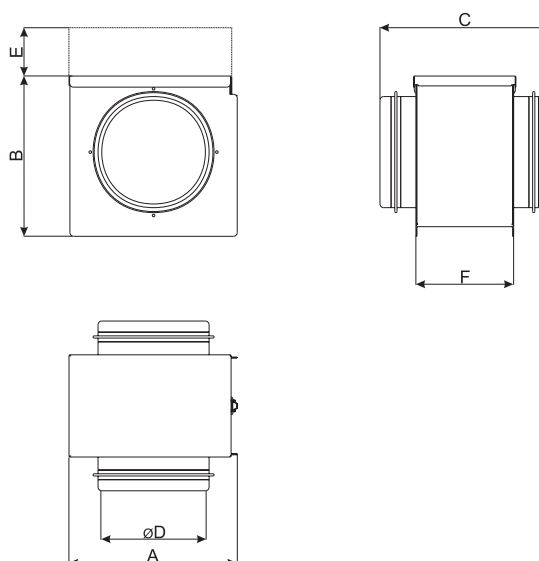


Filter cassette

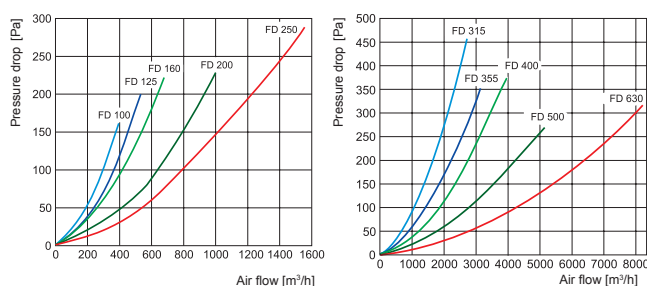


Title	Article No.
FD 100 -G4	GFZFD001
FD 125 -G4	GFZFD002
FD 150 -G4	GFZFD016
FD 160 -G4	GFZFD003
FD 200 -G4	GFZFD004
FD 250 -G4	GFZFD005
FD 315 -G4	GFZFD006
FD 355 -G4	GFZFD022
FD 400 -G4	GFZFD007
FD 500 -G4	GFZFD008
FD 630 -G4	GFZFD009

Filter boxes FD are used to clean supplied air. They are mounted into a system of circular air ducts. Completed with exchangeable FM-type G4 class panel filters. The casing is made of galvanized steel with rubber sealed circular connection. Maintenance cover is attached to the casing using one hinge and is easily removable.

Pressure drop

The diagram shows pressure drop in filter cassette type FD which is equipped with a panel of standard filter G4 class.



Dimensions

Type	A, [mm]	B, [mm]	C, [mm]	øD, [mm]	E, [mm]	F, [mm]
FD 100	224	216	231	100	216	132
FD 125	224	216	231	125	216	132
FD 160	224	216	215	160	216	132
FD 200	268	256	215	200	256	132
FD 250	318	306	241	250	306	132
FD 315	366	356	241	315	356	132
FD 355	470	460	241	355	460	132
FD 400	470	460	281	400	460	132
FD 500	547	530	244	500	530	95
FD 630	690	670	281	630	670	132

FD has to be installed into duct system in such a way that a certain space (according to dim. E) should be left for opening the door in case of changing a bag filter.